

OWNER'S MANUAL



IMPORTANT INFORMATION

SERIAL NUMBER

Important Information

- Before installing the Polaris, make sure the pool filter is clean.
- New plumbing lines should be flushed out before installing the Polaris.
- The Polaris should not be used to remove plaster dust in new pools.
- Except when checking the wheel RPM, do not handle the Polaris while it is operating
- Never pick up the Polaris by the hose.
- Always remove the Polaris **before swimmers enter the pool.**
- Always disconnect the Polaris from the pool wall when cleaning or backwashing the pool filter.
- After cleaning or backwashing, let the filtration system run for at least five minutes before re-connecting the Polaris.
- Always remove the Polaris from the pool before chemical shock treatments.

For customer service or support:

- Please mail Warranty Card immediately.
- For online support: www.polarispool.com
- To contact Polaris: **US and Canada**
Customer Service
2620 Commerce Way
Vista, CA 92081-8438

1-800-822-7933

Polaris ATV Limited Warranty

This one year limited warranty is extended to the original consumer purchaser of this Polaris ATV Automatic Pool Cleaner manufactured by Zodiac Pool Care, Inc., from date of manufacture of the unit as established by the serial number, or one year from date of purchase with proof of purchase, whichever is later. Zodiac warrants this product, including all parts and components thereof, to be free of defects in material and workmanship. Normal replacement items such as tires, bottom plate, belts or bearings which have been worn out by use or improper installation are not covered by this warranty. The Polaris ATV frame is warranted for a period of five years.

This limited warranty does not apply if the failure is caused or contributed to by any of the following: improper handling, improper usage, improper storage, winter freezing, abuse, improper installation, unsuitable application of the unit, improper maintenance, lack of reasonable and necessary maintenance, damage in transit or during installation, or damage from repairs/alterations made or attempted by anyone other than Zodiac or one of its Authorized Service Centers. In no event shall Zodiac be liable for incidental or consequential damages of any nature or for damages to persons or property, including damage to vinyl liners, plaster, tile, aggregate-based and other pool surfaces, or damages resulting from the use of this product with a substandard pool circulation system or chemical imbalance.

Authorization to return a unit or part to the plant of manufacture must be obtained from the Zodiac Customer Service Department. Check with your dealer for the local procedure before exercising this warranty. If further directions or instructions should be required, contact the Customer Service Department at 1-800-822-7933 (USA and Canada only) or (760) 599-9600. Be sure to insure the shipment against loss or damage in transit.

This limited warranty is valid only in the United States of America, Canada and Australia, and it does not apply to Polaris ATV Automatic Swimming Pool Cleaners sold or installed in any other country. Polaris ATV Automatic Pool Cleaners sold in the United Kingdom are warranted for a period of two years from date of invoicing to the first user.

WARNING: USE OF POLARIS ATV IN A VINYL LINER POOL

Certain vinyl liner patterns are particularly susceptible to rapid surface wear or pattern removal caused by objects coming into contact with the vinyl surface, including pool brushes, pool toys, floats, fountains, chlorine dispensers, and automatic pool cleaners. Some vinyl liner patterns can be seriously scratched or abraded simply by rubbing the surface with a pool brush. Ink from the pattern can also rub off during the installation process or when it comes into contact with objects in the pool. Zodiac is not responsible for, and the Limited Warranty does not cover, pattern removal, abrasion or markings on vinyl liners.

U.S. Patents: 6,094,764; D418,640; 6,220,636; 6,314,983.

Foreign Patents: 2,082,492; 992184; 138,576; 89,333; 79260; A99/0370; F99/0372; 0,145,287; 756881; 2000/0498; and other patents pending.

Introduction

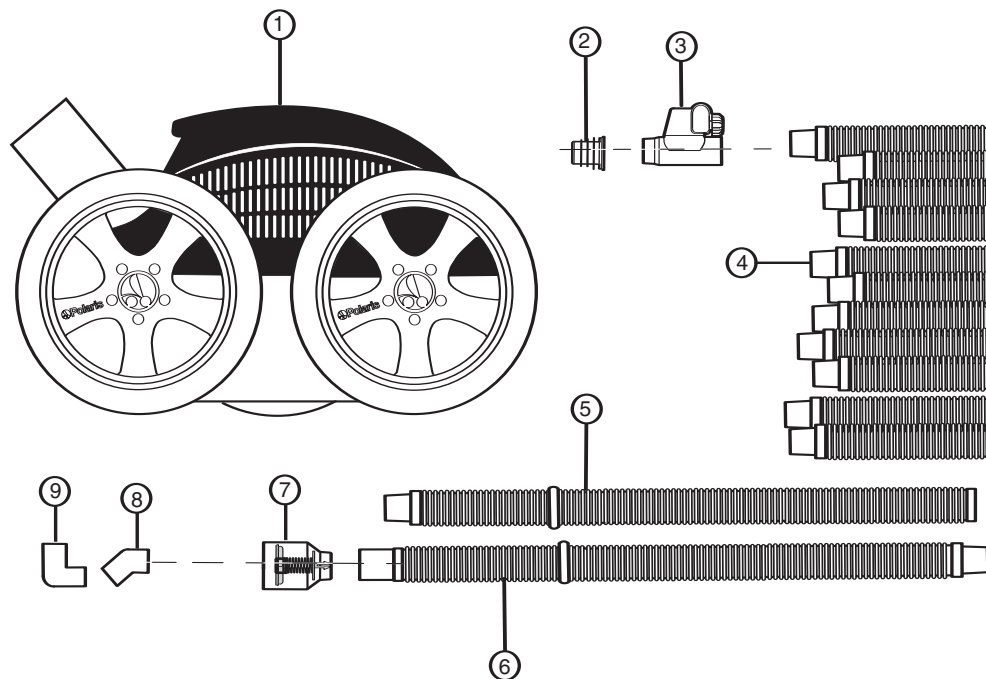
Congratulations on the purchase of your new automatic pool cleaner, and thank you for choosing Polaris. The Polaris ATV is designed to give you years of dependable and efficient service.

Like most mechanical devices, the Polaris requires periodic adjustments, routine maintenance, and the replacement of certain hardworking parts. Be sure to have the Polaris checked occasionally by your local Polaris dealer or authorized service center.

Always insist on genuine Polaris replacement parts. Non-Polaris parts are not made to our specifications. They may have an adverse effect on the operation of your Polaris or may even damage it.

Polaris ATV Complete Cleaner

- | | |
|-----------------------------------|--------------------|
| 1. Cleaner Body | 7. Flow Indicator |
| 2. Universal Adapter | 8. 45-degree Elbow |
| 3. Flow Regulator | 9. 90-degree Elbow |
| 4. Standard Hose Sections (11) | |
| 5. Standard Hose with Hose Weight | |
| 6. Leader Hose with Hose Weight | |



Quick Installation Instructions

Four quick steps to install and get maximum performance from the Polaris ATV:

- Identify type of pool connection and connect hose
- Adjust suction hose to fit pool length
- Test and adjust water flow
- Check for proper wheel RPM (revolutions per minute)

1

Identify Type of Pool Connection and Connect Hose

The Polaris ATV is equipped to connect to a dedicated suction line or a pool skimmer.

A dedicated suction line is a 1-1/2" to 2" suction line, usually located 6 to 12 inches below the water's surface in the center of the longest pool wall.

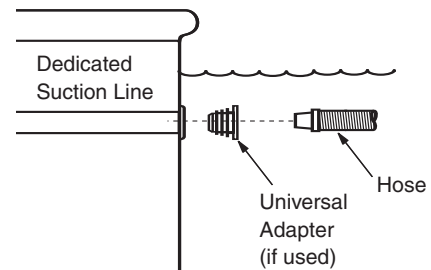
Skimmers can vary greatly depending on the design of the pool. Some of the most common skimmer setups are discussed here. For further information, contact Customer Service.

Before installation:

1. Make sure pool filter and pump basket are clean.
 - ➔ Note the pool filter pressure (pounds per square inch or psi) when filter is clean. Whenever the pressure is 5-10 psi above the noted psi, clean the filter.
2. Determine if a dedicated suction line is available for installation.
3. If no dedicated suction line is present, a skimmer installation will be used.
 - Identify location of all skimmers.
 - Use skimmer nearest the center of the longest pool wall to connect Polaris. If there are two, use the one closest to the pool equipment.
 - Block flow to main drain and all skimmers that will not be used by the Polaris. If the pool does not have a valve to regulate flow to each skimmer, block the flow at the suction line.
 - Remove skimmer cover, basket and any other valves, floats or covers.
 - If skimmer has a diverter valve to control water flow between the skimmer and main drain, adjust valve to full skimming.
 - If skimmer has two openings (suction line and main drain line), the suction line is usually farthest from the edge of the pool. Verify by checking for flow.
4. Turn off pool pump.

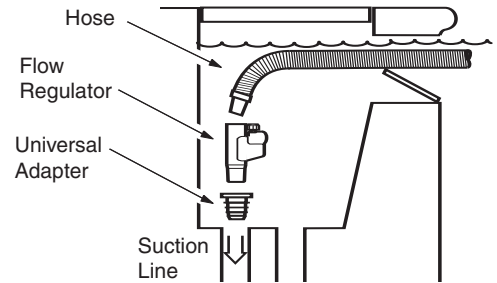
Dedicated Suction Line Connection

1. If suction line does not have a safety vacuum fitting, install the universal adapter. If a safety fitting is present, the universal adapter is not necessary.
2. Attach any hose section without weights to the dedicated suction line.
3. Skip to **Connecting the Hose**.

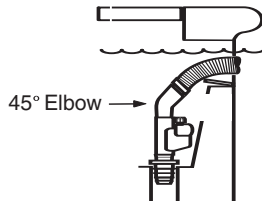


Skimmer Connection

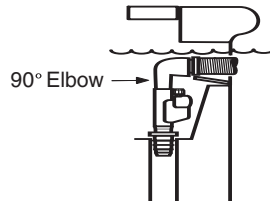
1. Push universal adapter into the suction line in the bottom of the skimmer.
2. Insert flow regulator into the universal adapter.
3. Feed any hose section without weights through the skimmer opening and attach it to the flow regulator.



Deep Skimmer



Shallow Skimmer

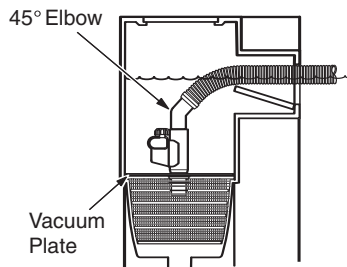


On some skimmers it may be necessary to install an elbow connector to keep the hose from kinking. For deep skimmers, install the 45-degree elbow between the flow regulator and the hose. For shallow skimmers, use the 90-degree elbow.

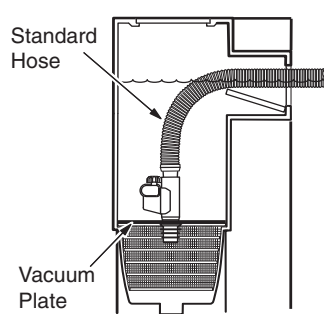
For Australian Skimmer Connections Only

Vacuum plate is not included. Contact an authorized Polaris dealer for more information.

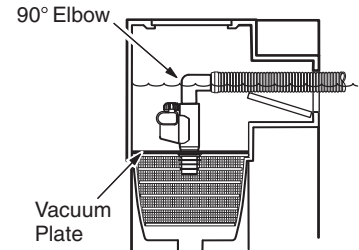
Standard Skimmer



Deep Skimmer



Shallow Skimmer



Connecting the Hose

1. Set aside the leader hose with hose weight and standard hose with hose weight.
2. Connect remaining hose sections pushing cuffs securely together.
3. Attach standard hose with hose weight to end of hose.
4. Attach leader hose to same end. The leader hose connects to the Polaris.
5. Connect assembled hose to the hose section already attached to the pool.

2

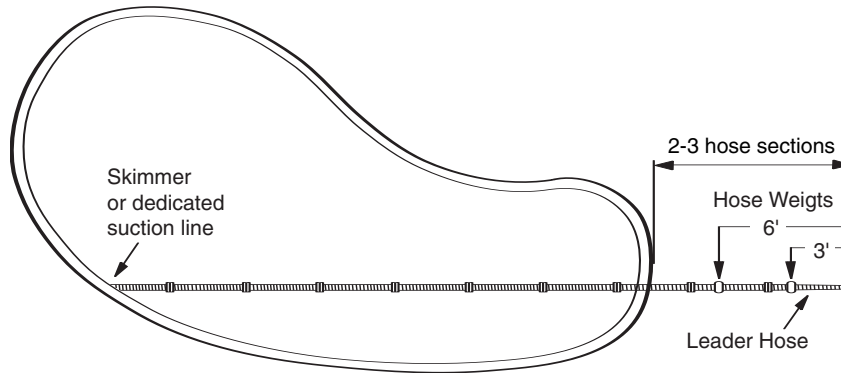
Adjust Suction Hose to Fit Pool Length

With the hose attached to the pool, extend the hose to the farthest point of the pool. The hose end should reach 2 to 3 hose sections past the farthest point.

Hose too long? Remove excess hose sections from the middle of the hose.

Hose too short? Buy additional standard hose sections.

After adjusting the hose length, position the hose weights as shown.



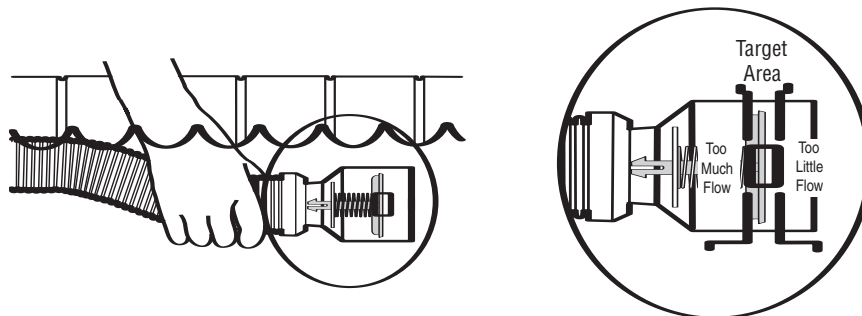
Note: For pools less than 5 feet deep, remove weight from leader hose and position weight on standard hose four feet from Polaris.

3

Test and Adjust Water Flow

For proper operation, the Polaris ATV must receive the correct amount of water flow. Check the pool's available water flow with the flow indicator.

1. Detach hose and flow regulator, if used. Fill hose completely with water. Reattach flow regulator and hose.
2. Connect flow indicator to the leader hose.
3. Holding flow indicator underwater, turn on the pump.
4. The target area on the flow indicator represents the correct water flow range.



If too little flow:

- Verify that pool filter and pump basket are clean.
- Verify that all suction lines are closed except the one utilized by the flow indicator.
- Check hose cuffs and connections for leaks that cause loss of flow.
- For dedicated suction line installations, adjust valve in equipment area that controls water flow to suction line until indicator is within the target area. Mark valves for reference.

- For skimmer installations, turn knob on flow regulator clockwise until indicator is within the target area.

If too much flow:

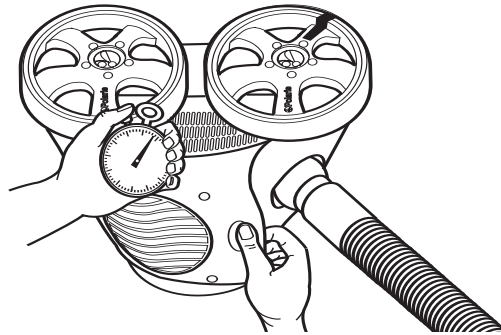
- For dedicated suction line installations, adjust valve in equipment area that controls water flow to suction line until the indicator is within the target area.
 - For skimmer installations, turn knob on flow regulator counterclockwise until indicator is within target area. If knob is turned all the way, open the main drain (or a second skimmer) until indicator is within target area.
5. Turn off pump. Hold hose underwater and remove flow indicator.

4

Check for Proper Wheel RPM

Before operating the Polaris, check for proper wheel revolutions per minute (RPM). For maximum efficiency, the RPM should be between 30 to 34.

1. Mark the outer edge of a tire.
2. Submerge Polaris and remove any air in the cleaner. Connect the cleaner to the hose keeping it completely submerged.
3. Holding cleaner under water, turn pump on and count wheel revolutions for one minute.
4. Optimum speed should be between 30 and 34 RPM.



If count is less than 30 RPM:

- Verify that all suction lines are closed except for the one utilized by the Polaris.
- Verify that pool filter and pump basket are clean.
- Check hose cuffs and connections for leaks that cause loss of flow.
- For dedicated suction line installations, adjust valve in equipment area until proper wheel RPM is reached. Mark valve settings for reference.
- For skimmer installations, turn knob on flow regulator clockwise until proper wheel RPM is reached.

If count is more than 34 RPM:

- For dedicated suction line installations, adjust valve in the equipment area until the correct wheel RPM is reached.
- For skimmer installations, turn knob on the flow regulator counterclockwise until the proper wheel RPM is reached. If knob is turned all the way and the RPM is still above 34, open main drain (or a second skimmer) until correct wheel RPM is reached.

Operation and Routine Maintenance

The Polaris ATV cycles on/off with the pool filtration pump, vacuuming and cleaning all surfaces randomly throughout the pool. The climbing ability of the Polaris is dependent on the pool's shape and available water flow. It will climb better in pools without sharp angles or curves in the transition from the pool floor to the pool wall.

Approximately every 4-1/2 minutes the Polaris ATV completes one cleaning cycle. During a cycle, the Polaris travels both forward and backwards, and pivots to the right and left. The bypass door releases the cleaner from obstacles and the fan creates down force to increase cleaner stability.

Bottom Plate

The bottom plate helps the Polaris travel over sharp corners or high spots. Periodically check the bottom plate for wear and replace as necessary.

Propeller

Keep propeller free of debris. To access the propeller area, remove the top housing assembly.

Flow Regulator

Periodically check the inlet in the flow regulator and clear away debris.

Emptying the Pump Basket

For the Polaris to operate at optimum efficiency, empty the pump basket regularly. The more debris in the pool, the more often the pump basket should be cleared.

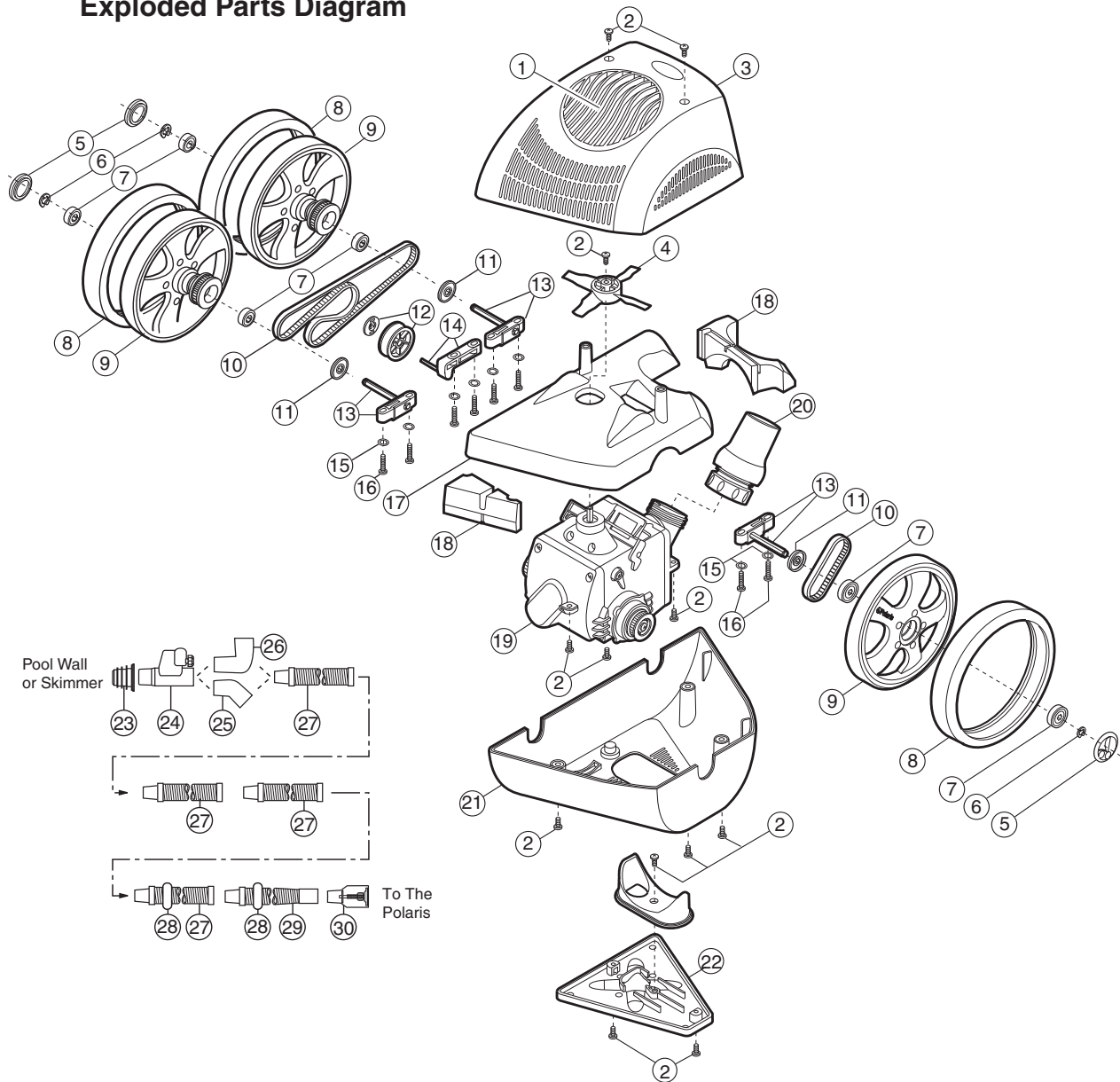
Backwashing the Pool Filter

Always disconnect the Polaris from the pool wall before cleaning or backwashing the pool filter. After cleaning or backwashing, let the filtration system run for at least five minutes to flush out the suction lines before re-connecting the Polaris.

Storage and Winterizing

Never store the Polaris in direct sunlight. When storing for the winter, drain out all the water (freeze damage is not covered by the warranty). Remove all connectors and adapters from the dedicated suction line or skimmer.

Exploded Parts Diagram



No.	Part#	Description	Qty	No.	Part#	Description	Qty
1	5-2025	Propeller Grid - ATV	1	18	5-2010	Flotation, Top, Front and Rear	1
2	9-100-5117	Screw, 8-32 x 3/8" SS Pan Head	12	19	5-5000	Power Module Assembly	1
3	5-2020	Top Housing - ATV	1	20	5-5060	Swivel Assembly	1
4	5-6000	Propeller	1	21	5-2050	Bottom Housing	1
5	5-4030	Hub Cap - ATV	3	22	5-3000	Bottom Plate*	1
6	9-100-5107	E-clip, Stainless Steel	7	23	5-7100	Universal Adapter	1
7	9-100-1108	Ball Bearing*	6	24	5-7000	Flow Regulator	1
8	5-4025	Tire, MaxTrax®, ATV*	3	25	5-7250	Elbow, 45-degree	1
9	5-4020	Wheel Assembly ATV	3	26	5-7200	Elbow, 90-degree	1
10	5-5200	Belt Kit, Small and Large*	1	27	5-5570	Single, Standard Hose	12
11	9-100-7011	Shield, Bearing*	3	28	5-7300	Hose Weight	2
12	5-1020	Pulley/Retainer Clip	1	29	5-5580	Leader Hose	1
13	5-4500	Axle Block Assembly	3	30	5-7050	Flow Indicator	1
14	5-1010	Belt Tensioner Block	1				
15	9-100-5130	Lock Washer, Axle Block	8				
16	9-100-5115	Screw, 8-32 x 3/4" SS Pan Head	8				
17	5-1000	Frame	1				

* Wear items not covered by warranty.

Troubleshooting

If the Polaris cleaner displays the following actions, adjustments may be necessary to restore performance. Refer to the exploded parts diagram for part references.

Action: Polaris hangs up on steps or other obstacles longer than 5 minutes.

- Solution:
1. Check the wheel RPM.
 2. Verify that the cleaner is cycling. The wheels should turn backwards approximately every 1-1/2 minutes.
 3. Remove unnecessary pool hardware or install a Ladder Guard Kit (order part #G21 from a Polaris dealer).

Action: Polaris is sluggish, running with less power than normal.

- Solution:
1. Check the wheel RPM.
 2. Clean the pool filter and pump basket.
 3. Remove the top housing and make sure propeller is free of debris.
 4. Remove bottom plate and verify that the intake area is free of debris.

Action: The Polaris repeatedly gets stuck at the water line.

- Solution:
1. Check the wheel RPM.
 2. Verify that the flow regulator is free of debris.
 3. Reposition the hose weights to 6 feet and 12 feet from the cleaner.

Action: Polaris "wheelies" or turns severely to one side.

- Solution:
1. Check the wheel RPM.
 2. Make sure the swivel turns freely.
 3. Remove top housing and make sure propeller is free of debris
 4. Check hose weights for correct positioning.

Action: Hose becomes tangled.

- Solution:
1. Check the wheel RPM.
 2. Verify that the hose is adjusted to the proper length and the weights are positioned correctly.
 3. Verify that the cleaner is cycling. The wheels should turn backwards approximately every 1-1/2 minutes.
 4. If installed on a dedicated suction line, attach the 45-degree elbow, angle it upward and attach the hose.

Action: Air bubbles come out of the return line during operation.

- Solution:
1. Check the wheel RPM.
 2. Verify that hose connections are secure.
 3. Verify that all skimmer connections and adapters are secure.

Action: Polaris is not moving.

- Solution:
1. Remove bottom plate and verify that the intake area is free of debris.
 2. Remove top housing and make sure propeller is free of debris.
 3. Check for proper water flow. If low:
 - a. Clean the pool filter and pump basket.
 - b. Verify that the skimmer or dedicated suction line connection is secure.
 - c. Adjust the flow regulator or the suction line valve in the equipment area. Recheck the wheel RPM once you have obtained proper flow.
 4. Remove lower housing to ensure that belts are on and properly tensioned.

Troubleshooting Worksheet

If these solutions do not result in improved performance, contact the Polaris dealer who sold you the cleaner or call Customer Service.

In order to provide faster and more convenient service, please have the following information available at the time of your call or when taking the Polaris in for service.

1. **Serial #:** _____

2. **Wheel RPM:** _____

3. **Is the Polaris cycling properly?**

(The wheels should turn backwards approximately every 1-1/2 minutes.)

Yes No

4. **Is the feed hose the proper length?**

Yes No

How many hose sections are used? _____

How many hose sections extend past the end of the pool? _____

5. **Is the swivel rotating freely?**

Yes No

6. **What is the pool filter pressure?**

Now? _____ psi

Just after cleaning? _____ psi

When was the pool filter last cleaned?

- 1-2 months ago
 3-5 months ago
 Over 6 months ago

Informations importantes

- Avant d'installer le Polaris, s'assurer que le filtre de la piscine est propre.
- Rincer les nouvelles conduites avant d'installer le Polaris.
- Ne pas utiliser le Polaris pour enlever la poussière de plâtre dans les nouvelles piscines.
- Ne pas manipuler le Polaris pendant son fonctionnement, à moins que ce soit pour contrôler la vitesse de rotation de la roue.
- Ne jamais saisir le Polaris par le tuyau.
- Toujours enlever le Polaris avant qu'un nageur entre dans la piscine.
- Toujours déconnecter le Polaris de la paroi de la piscine avant de procéder au nettoyage ou au lavage par refoulement du filtre.
- Après le nettoyage ou le lavage par refoulement, laisser le système de filtration en marche pendant au moins cinq minutes avant de reconnecter le Polaris.
- Toujours enlever le Polaris de la piscine avant de procéder à un traitement chimique de choc.

Service clientèle ou assistance technique :

- Immédiatement retourner la carte de garantie.
- Assistance technique en ligne : www.polarispool.com
- Pour contacter Polaris :
US and Canada
Customer Service
2620 Commerce Way
Vista, CA 92081-8438
1-800-822-7933

Polaris ATV Garantie

Vous avez choisi la marque Polaris ATV et nous vous remercions de votre confiance. Ce produit a été conçu, fabriqué et contrôlé avec le plus grand soin afin qu'il vous donne entière satisfaction.

La durée de la garantie est fixée à 2 ans à partir de la date de facturation au premier utilisateur.

AVERTISSEMENT CONCERNANT L'UTILISATION DU POLARIS ATV DANS UNE PISCINE A REVETEMENT VINYLE

La surface de certains revêtements vinyle à motifs peut s'user rapidement et les motifs peuvent disparaître au contact d'objets tels que brosses de nettoyage, jouets, bouées, fontaines, distributeurs de chlore et nettoyeur de piscine automatique. Les motifs de certains revêtements vinyle peuvent être égratignés ou usés par simple frottement, tel qu'avec une brosse de piscine. La couleur de certains motifs peut également s'effacer pendant l'installation ou en cas de contact avec des objets présents dans la piscine. Les motifs effacés, l'usure ou l'égratignure des revêtements vinyle ne relèvent pas de la responsabilité de Zodiac et ne sont pas couverts par la garantie limitée.

Introduction

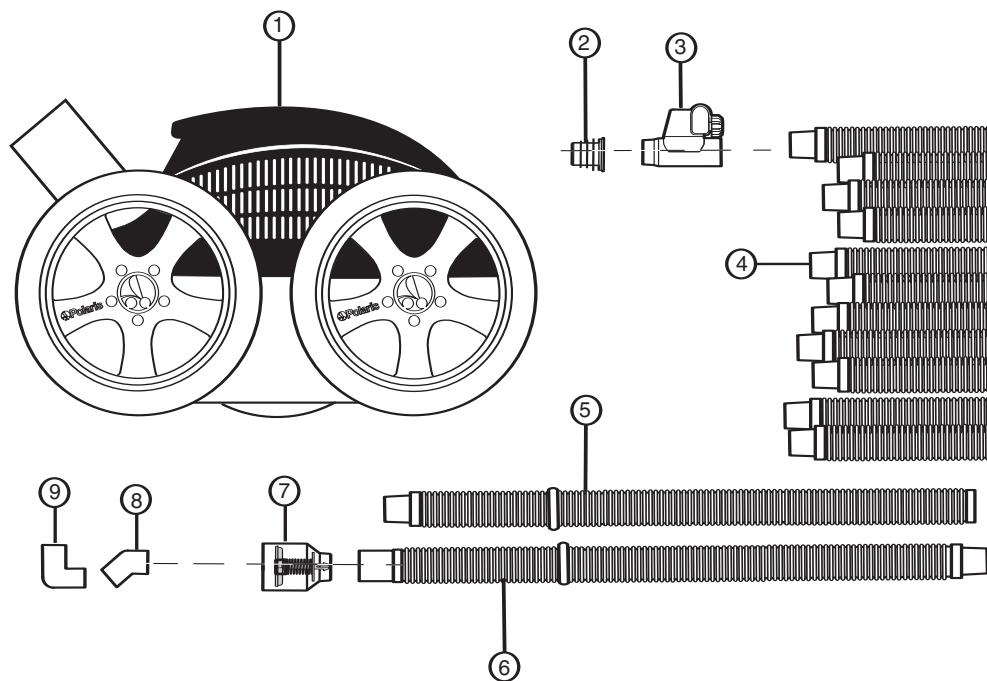
Félicitations pour l'achat du nouveau nettoyeur de piscine automatique et nos remerciements d'avoir choisi un produit Polaris. Grâce à sa conception et sa fiabilité, le Polaris ATV fonctionnera sans problèmes pendant de nombreuses années.

Comme la plupart des dispositifs mécaniques, le Polaris doit être ajusté périodiquement, entretenu avec régularité et équipé de nouvelles pièces après une utilisation prolongée. Faire vérifier occasionnellement l'appareil par le distributeur local ou le centre de service Polaris.

N'utiliser que des pièces de rechange Polaris d'origine. Les pièces qui n'ont pas été fabriquées par Polaris ne satisfont pas à nos spécifications. Elles peuvent entraver le fonctionnement du Polaris, voire l'endommager.

Polaris ATV Complète

- | | |
|---|----------------------|
| 1. Corps du nettoyeur | 7. Débitmètre |
| 2. Adaptateur universel | 8. Coude à 45 degrés |
| 3. Régulateur de débit | 9. Coude à 90 degrés |
| 4. Sections de tuyau flexible standard (11) | |
| 5. Tuyau flexible standard avec lest de tuyau | |
| 6. Section de tuyau principale avec lest de tuyau | |



Instructions d'installation rapide

1 Identification du type de connexion à la piscine et raccordement du tuyau

Le Polaris ATV est équipé pour être raccordé à une conduite d'aspiration spécialisée ou à un skimmer de piscine.

Une conduite d'aspiration spécialisée est une conduite d'aspiration de 1-1/2 à 2 pouces (3,8 à 5 cm), située normalement à une distance de 15 à 30 centimètres sous la surface de l'eau, au centre de la paroi la plus longue de la piscine.

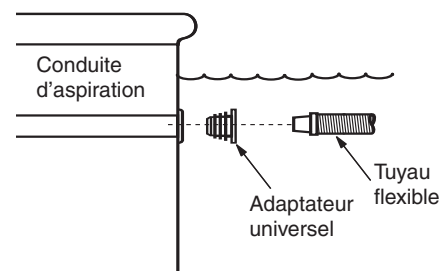
Les skimmers peuvent varier largement en fonction de la configuration de la piscine. Les installations de skimmers les plus courantes sont examinées dans ce manuel. Pour de plus amples renseignements, veuillez vous adresser au Service clientèle.

Avant l'installation :

1. Vérifier que le filtre de piscine et le panier de la pompe sont propres.
 - ➔ Noter la pression du filtre de piscine (en livres par pouce carré—psi ou en kPa, etc.) quand le filtre est propre. Chaque fois que la pression indiquée est de 5 à 10 psi (ou de 34 à 69 kPa) au-dessus de la pression qui a été notée, nettoyer le filtre.
2. Déterminer si une conduite d'aspiration spécialisée est disponible pour l'installation.
3. En l'absence de conduite d'aspiration spécialisée, on utilisera une installation de skimmer.
 - Identifier l'emplacement de tous les skimmers.
 - Pour raccorder le Polaris, utiliser le skimmer le plus proche du centre de la paroi la plus longue de la piscine. S'il y en a deux, utiliser celui qui est le plus proche de la machinerie de la piscine.
 - Bloquer la circulation vers la vidange principale et vers tous les skimmers qui ne seront pas utilisés par le Polaris. Si la piscine ne comporte pas de soupape régulatrice de débit pour chaque skimmer, bloquer la circulation à la conduite d'aspiration.
 - Retirer le couvercle du skimmer, le panier et toutes les autres soupapes, vannes, flotteurs ou couvercles.
 - Si le skimmer comporte une vanne de distribution pour contrôler la circulation d'eau entre le skimmer et la vidange principale, régler la vanne à l'ouverture totale vers le skimmer.
 - Si le skimmer a deux ouvertures (conduite d'aspiration et conduite de vidange principale), la conduite d'aspiration est normalement la plus éloignée du bord de la piscine. Vérifier en contrôlant la circulation.
4. Arrêter la pompe de la piscine.

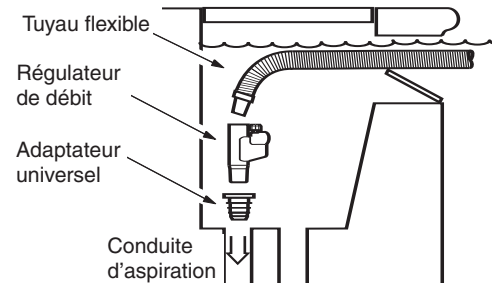
Connexion de la conduite d'aspiration spécialisée

1. Si la conduite d'aspiration n'est pas équipée d'un raccord basse pression de sécurité, installer un adaptateur universel. En présence d'un raccord de sécurité, l'installation d'un adaptateur universel n'est pas nécessaire.
2. Fixer une section de tuyau sans lest à la conduite d'aspiration.
3. Passer à l'étape Raccordement du tuyau flexible.

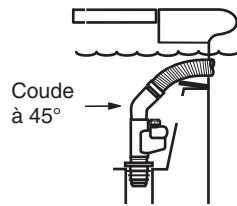


Raccordement du skimmer

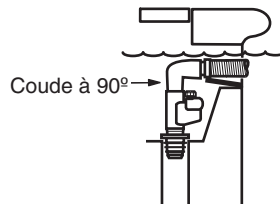
1. Enfoncer l'adaptateur universel dans la conduite d'aspiration, au fond du skimmer.
2. Insérer le régulateur de débit dans l'adaptateur universel.
3. Enfiler une section quelconque de tuyau sans lests à travers l'ouverture du skimmer et l'attacher au régulateur de débit.



Skimmer profond



Skimmer peu profond



Sur certains skimmers, il peut s'avérer nécessaire d'installer un connecteur coudé pour empêcher la torsion du tuyau. Avec les skimmers profonds, installer un coude à 45 degrés entre le régulateur de débit et le tuyau. Avec les skimmers peu profonds, utiliser un coude à 90 degrés.

Raccordement du tuyau flexible

1. Mettre de côté la section de tuyau principale avec lests et le tuyau standard avec lests.
2. Raccorder les sections de tuyau restantes en enfonçant fermement les manchons les uns dans les autres.
3. Fixer le tuyau standard avec lests à l'extrémité du tuyau flexible.
4. Fixer la section de tuyau principale à la même extrémité. Cette section principale se raccorde au Polaris.
5. Raccorder le tuyau assemblé à la section de tuyau fixée à la paroi de la piscine.

2

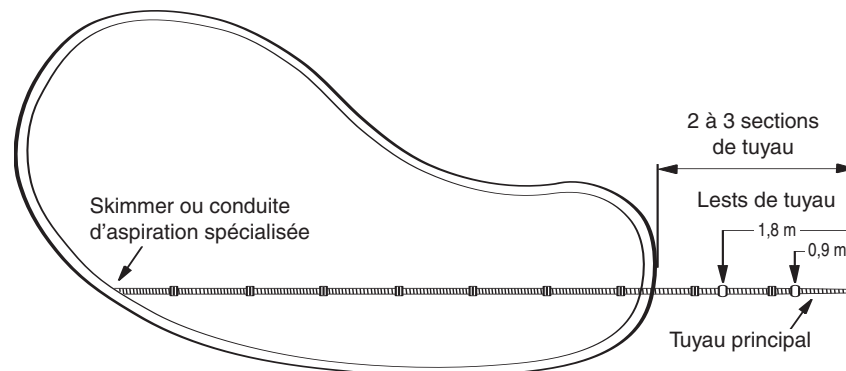
Adaptation du tuyau d'aspiration aux dimensions de la piscine

Le tuyau étant connecté à la paroi de la piscine, le tendre jusqu'à ce qu'il atteigne le point le plus éloigné de la piscine. Le tuyau doit atteindre une distance équivalente à la longueur de 2 à 3 sections de tuyau au-delà du point le plus éloigné.

Le tuyau est-il trop long ? Retirer les sections de tuyau en excès, en procédant à partir du milieu du tuyau.

Le tuyau est-il trop court ? Acheter des sections de tuyau standard supplémentaires.

Après avoir ajusté la longueur du tuyau flexible, mettre les lests de tuyau en place comme indiqué.



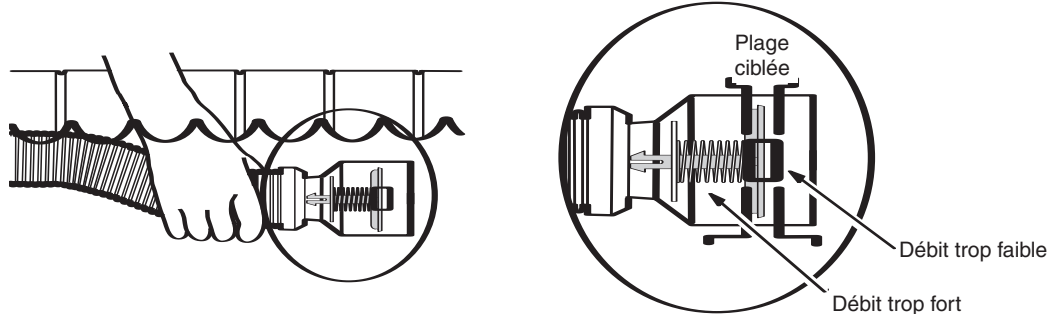
Remarque : Dans les piscines ayant moins de 1,5 m de profondeur, retirer les lests du tuyau principal et les replacer sur le tuyau standard, à 1,2 m du Polaris.

3

Test et réglage de la circulation d'eau

Pour fonctionner correctement, le Polaris ATV doit être alimenté par une circulation d'eau suffisante. À l'aide du débitmètre, vérifier le débit de l'eau disponible pour la piscine.

1. Le cas échéant, détacher le tuyau et le régulateur de débit. Remplir le tuyau d'eau à sa capacité maximum. Fixer de nouveau le régulateur de débit et le tuyau.
2. Connecter le débitmètre au tuyau principal.
3. Pendant que l'on maintient le débitmètre submergé, mettre la pompe en marche.
4. La zone ciblée sur le débitmètre représente la plage de débit correcte pour l'eau.



Si le débit **est trop faible** :

- Vérifier que le filtre de piscine et le panier de la pompe sont propres.
- Vérifier que toutes les conduites d'aspiration sont fermées à l'exception de celle utilisée par le débitmètre.
- Contrôler l'absence de fuites au niveau des manchons et des raccords.
- Dans les installations avec conduite d'aspiration spécialisée, ajuster la vanne du compartiment de la machinerie qui contrôle le débit d'eau vers la conduite d'aspiration jusqu'à ce que l'indicateur du débitmètre se trouve dans la zone ciblée. Marquer les vannes pour référence ultérieure.
- Dans les installations avec skimmer(s), tourner le bouton du régulateur de débit dans le sens horaire jusqu'à ce que l'indicateur du débitmètre se trouve dans la zone ciblée.

Si le débit **est trop fort** :

- Dans les installations avec conduite d'aspiration spécialisée, ajuster la vanne du compartiment de la machinerie qui contrôle le débit d'eau vers la conduite d'aspiration jusqu'à ce que l'indicateur du débitmètre se trouve dans la zone ciblée.
- Dans les installations avec skimmer(s), tourner le bouton du régulateur de débit dans le sens inverse au sens horaire jusqu'à ce que l'indicateur du débitmètre se trouve dans la zone ciblée. Lorsqu'on a tourné le bouton à fond, ouvrir la vidange principale (ou un second skimmer) jusqu'à ce que l'indicateur se trouve dans la zone ciblée.

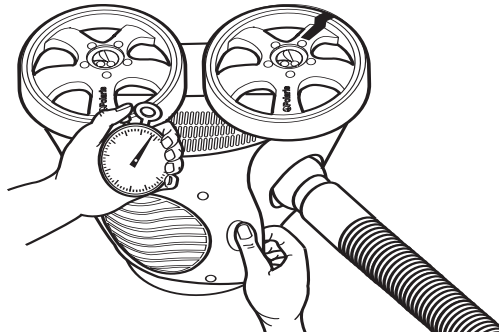
5. Arrêter la pompe. Maintenir le tuyau sous l'eau et retirer le débitmètre.

4

Contrôle de la vitesse de rotation de la roue

Avant de mettre le Polaris en marche, contrôlez la vitesse de rotation de la roue (tr/min). Pour obtenir un rendement maximum, le Polaris doit tourner à une vitesse comprise entre 30 et 34 tr/min.

1. Marquer le côté externe d'un pneu.
2. Submerger le Polaris dans l'eau et purger complètement l'air du nettoyeur. Raccorder le nettoyeur au tuyau en le maintenant totalement submergé.
3. Tout en maintenant le nettoyeur sous l'eau, mettre la pompe en marche et compter le nombre de tours accomplis en une minute.
4. La vitesse de rotation optimum est entre 30 et 34 tr/min.



Si la vitesse est **inférieure à 30 tr/min** :

- Vérifier que toutes les conduites d'aspiration sont fermées à l'exception de celle utilisée par le Polaris.
- Vérifier que le filtre de piscine et le panier de la pompe sont propres.
- Contrôler l'absence de fuites au niveau des manchons et des raccords.
- Dans les installations avec conduite d'aspiration spécialisée, ajuster la vanne du compartiment de la machinerie jusqu'à ce que la vitesse de rotation correcte de la roue soit atteinte. Marquer les réglages de vanne pour référence ultérieure.
- Dans les installations avec skimmer(s), tourner le bouton du régulateur de débit dans le sens horaire jusqu'à ce que la vitesse de rotation de la roue ait atteint la valeur correcte.

Si la vitesse est **supérieure à 34 tr/min** :

- Dans les installations avec conduite d'aspiration spécialisée, ajuster la vanne du compartiment de la machinerie jusqu'à ce que la vitesse de rotation correcte de la roue soit atteinte.
- Dans les installations avec skimmer(s), tourner le bouton du régulateur de débit dans le sens inverse au sens horaire jusqu'à ce que la vitesse de rotation de la roue ait atteint la valeur correcte. Lorsqu'on a tourné le bouton à fond et que la vitesse reste encore supérieure à 34 tr/min, ouvrir la vidange principale (ou un second skimmer) jusqu'à ce que la vitesse de rotation de la roue soit correcte.

Fonctionnement et entretien régulier

Le Polaris ATV se met en marche et s'arrête avec la pompe de filtration de la piscine aspirant les saletés et nettoyant toutes les surfaces de la piscine dans un ordre aléatoire. L'aptitude du Polaris à monter le long des parois dépend de la forme de la piscine, de la pression et du débit d'eau. Le Polaris grimpe plus facilement dans les piscines où la transition est douce entre les parois et le fond de la piscine.

Le Polaris accomplit un cycle de nettoyage complet toutes les 4,5 minutes. Pendant chaque cycle, le Polaris se déplace d'avant en arrière et pivote vers la droite et vers la gauche. La trappe de la dérivation dégage le nettoyeur des obstacles et le ventilateur crée une force dirigée vers le bas qui augmente la stabilité du nettoyeur.

Socle

Le socle aide le Polaris à se déplacer et à surmonter les obstacles constitués par les coins aigus ou les aspérités. Vérifier le socle périodiquement pour surveiller son usure et le remplacer le cas échéant.

Hélice

Protéger l'hélice des débris. Pour accéder à l'hélice, enlever l'ensemble du carter supérieur.

Régulateur de débit

Périodiquement, vérifier l'arrivée du régulateur de débit et la nettoyer pour en retirer les débris.

Vidage du panier de la pompe

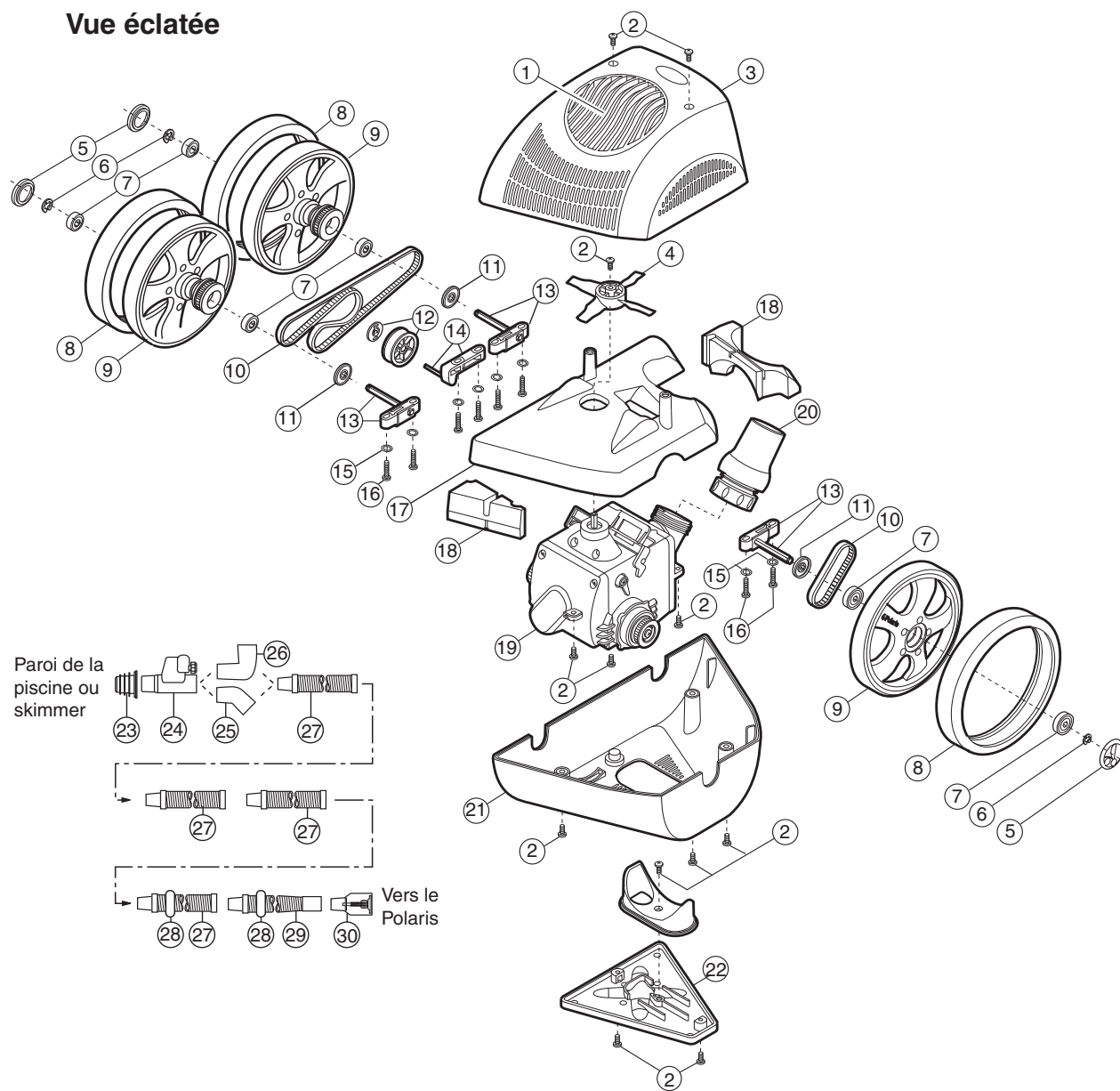
Pour que le Polaris puisse fonctionner avec l'efficacité optimale, il faut vider régulièrement le panier de la pompe. Plus il y a de débris dans la piscine et plus le nettoyage du panier de la pompe doit être fréquent.

Lavage à contre-courant du filtre de la piscine

Toujours déconnecter le Polaris de la paroi de la piscine avant de procéder au nettoyage ou au lavage par refoulement du filtre de la piscine. Après un nettoyage ou lavage par refoulement, laisser fonctionner le système de filtration pendant au moins cinq minutes pour rincer les conduites d'aspiration, puis reconnecter le Polaris.

Entreposage et préparation à l'hivernage

Ne jamais entreposer le Polaris dans un lieu directement exposé à la lumière du soleil. Pour le ranger pendant l'hiver, vider toute l'eau (les dégâts provoqués par le gel ne sont pas couverts par la garantie). Retirer tous les connecteurs et adaptateurs de la conduite d'aspiration spécialisée ou du skimmer.



N°	N° de pièce	Description	Qté	N°	N° de pièce	Description	Qté
1	5-2025	Grille de l'hélice ATV	1	17	5-1000	Châssis	1
2	9-100-5117	Vis, 8-32 x 3/8", tête plate en acier inox.	12	18	5-2010	Flottaison, dessus, avant et arrière	1
3	5-2020	Ensemble du carter supérieur - ATV	1	19	5-5000	Ensemble du module d'alimentation électrique	1
4	5-6000	Hélice	1	20	5-5060	Ensemble du pivot	1
5	5-4030	Enjoliveur ATV	3	21	5-2050	Carter inférieur	1
6	9-100-5107	Goupille, acier inoxydable	7	22	5-3000	Socle*	1
7	9-100-1108	Roulement à billes*	6	23	5-7100	Adaptateur universel	1
8	5-4025	Pneu, MaxTrax®, ATV*	3	24	5-7000	Régulateur de débit	1
9	5-4020	Ensemble de la roue ATV	3	25	5-7250	Coude à 45 degrés	1
10	5-5200	Kit de courroies, grande et petite*	1	26	5-7200	Coude à 90 degrés	1
11	9-100-7011	Écran, palier*	3	27	5-5570	Tuyau flexible unique, standard	12
12	5-1020	Attache de poulie/de retenue	1	28	5-7300	Lest de tuyau	2
13	5-4500	Ensemble du bloc essieu	3	29	5-5580	Tuyau principal	1
14	5-1010	Poulie de tension de la courroie	1	30	5-7050	Débitmètre	1
15	9-100-5130	Rondelle d'arrêt, bloc essieu	8				
16	9-100-5115	Vis, 8-32 x 3/4", tête plate en acier inox.	8				

* Les pièces consommables ne sont pas couvertes par la garantie.

Dépannage

Si le nettoyeur Polaris présente l'un des comportements suivants, un réglage est sans doute nécessaire pour obtenir son bon fonctionnement. Veuillez consulter la vue éclatée des pièces pour trouver les références des pièces.

Action : Le Polaris s'accroche aux marches et autres obstacles pendant plus de 5 minutes.

- Solution :
1. Contrôler la vitesse de rotation de la roue du Polaris.
 2. Vérifier le cycle de fonctionnement du nettoyeur. Les roues doivent tourner en marche arrière environ toutes les 1,5 minutes.
 3. Enlever tout matériel inutile de la piscine ou installer un kit de protection d'échelle (commander la pièce no. G21 auprès d'un distributeur Polaris).

Action : Le Polaris se déplace avec extrême lenteur et fonctionne avec une puissance inférieure à la normale.

- Solution :
1. Contrôler la vitesse de rotation de la roue du Polaris.
 2. Nettoyer le filtre de la piscine et le panier de la pompe.
 3. Enlever le carter supérieur et s'assurer que l'hélice est dégagée de tous débris.
 4. Retirer le socle et vérifier que la turbine est dégagée de tous débris.

Action : Le Polaris reste régulièrement accroché à la ligne de niveau de l'eau.

- Solution :
1. Contrôler la vitesse de rotation de la roue du Polaris.
 2. Vérifier que le régulateur de débit est dégagé de tous débris.
 3. Changer la position des lests de tuyau et les placer à 1,8 et 3,7 mètres du nettoyeur.

Action : La roue du Polaris « a du jeu » ou oscille sérieusement en le faisant tourner d'un côté.

- Solution :
1. Contrôler la vitesse de rotation de la roue du Polaris.
 2. S'assurer que le pivot tourne librement.
 3. Enlever le carter supérieur et s'assurer que l'hélice est dégagée de tous débris.
 4. Vérifier que les lests sont placés au bon endroit.

Action : Le tuyau forme des nœuds.

- Solution :
1. Contrôler la vitesse de rotation de la roue du Polaris.
 2. Vérifier que le tuyau est ajusté à la bonne longueur et que les lests sont placés au bon endroit.
 3. Vérifier le cycle de fonctionnement du nettoyeur. Les roues doivent tourner en marche arrière environ toutes les 1,5 minutes.
 4. S'il est installé sur une conduite d'aspiration spécialisée, installer un coude à 45 degrés, angle tourné vers le haut, et raccorder le tuyau.

b. Vérifier que le connecteur du skimmer ou de la conduite d'aspiration spécialisée est étanche.

c. Régler le régulateur de débit ou la vanne de la conduite d'aspiration spécialisée dans le compartiment de la machinerie. Vérifier de nouveau la vitesse de rotation de la roue après avoir obtenu le débit approprié.

4. Retirer le carter inférieur pour contrôler la tension des courroies.

Action : Des bulles d'air sortent de la conduite de retour pendant le fonctionnement.

- Solution :
1. Contrôler la vitesse de rotation de la roue du Polaris.
 2. Vérifier que les raccords du tuyau sont étanches.
 3. Vérifier que tous les raccords et adaptateurs du skimmer sont étanches.

Action : Le Polaris ne bouge pas.

- Solution :
1. Retirer le socle et vérifier que la turbine est dégagée de tous débris.
 2. Enlever le carter supérieur et s'assurer que l'hélice est dégagée de tous débris.
 3. Vérifier si la circulation de l'eau est convenable. Si le débit est faible :
 - a. Nettoyer le filtre de la piscine et le panier de la pompe.

Wichtige Informationen

- Stellen Sie vor der Installation des Polaris sicher, dass der Poolfilter sauber ist.
- Neue Rohrleitungen sollen durchgespült werden, bevor der Polaris installiert wird.
- Man soll nicht mit dem Polaris etwa vorhandenen Mauerputz aus neu installierten Pools entfernen.
- Während der Polaris läuft soll man nicht damit umgehen, außer wenn man die RPM (Umdrehungen pro Minute) überprüft.
- Der Polaris soll niemals mittels des Schlauches aus dem Wasser gezogen werden.
- Der Polaris soll immer aus dem Pool entfernt werden, bevor Badende den Pool betreten.
- Der Polaris soll stets von der Poolwand abmontiert werden, wenn der Poolfilter gereinigt oder rückgespült wird.
- Nach der Reinigung oder Rückspülung soll man das Filtersystem mindestens fünf Minuten lange laufen lassen, bevor man den Polaris wieder anschließt.
- Wenn man den Pool mit Chemikalien behandelt, soll man immer vorher den Polaris aus dem Pool entfernen.

Kundendienst:

- Garantiekarte bitte sofort einsenden.
- Für Online Unterstützung: www.polarispool.com
- So können Sie Polaris finden: **US and Canada**
Customer Service
2620 Commerce Way
Vista, CA 92081-8438
1-800-822-7933

Polaris ATV Garantie

Sie haben sich für die Marke Polaris ATV entschieden, und wir danken Ihnen für Ihr Vertrauen. Dieses Produkt wurde mit größter Sorgfalt entwickelt, hergestellt und geprüft, damit es zu Ihrer vollen Zufriedenheit funktioniert.

Die Garantiezeit ist auf 2 Jahre ab Rechnungsdatum des Ersterwerbs festgelegt.

WARNHINWEIS: ANWENDUNG DES POLARIS ATV IN EINEM POOL MIT VINYLEINSATZ

Bestimmte Muster des Vinyleinsatzes sind ganz besonders auf schnelle Oberflächenabnutzung oder Abnutzung des Musters durch Gegenstände, die mit der Vinyloberfläche in Berührung kommen, einschließlich der Poolbürste, Poolspielsachen, Schwimmkörper, Springbrunnen, Chlorverteiler und automatischem Poolreiniger, anfällig. Manche Muster können durch bürsten der Oberfläche stark verkratzt oder abgeschürft werden. Es kann auch vorkommen, dass sich während der Installation die Farbe des Musters abreibt, wenn der Vinyleinsatz mit Gegenständen im Pool in Kontakt kommt. Zodiac, so wie die eingeschränkte Haftung von Zodiac, haften nicht für Abreibungen des Musters, so wie Abschürfungen oder Markierungen am Vinyleinsatz.

Einleitung

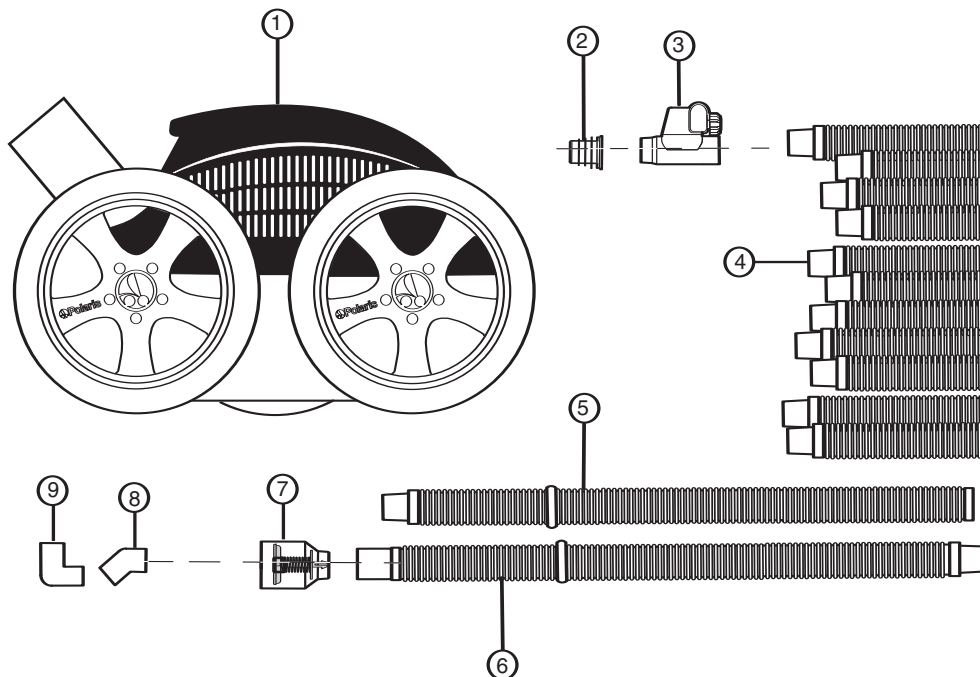
Es freut uns, dass Sie sich zum Kauf des neuen, automatischen Poolreinigers entschlossen haben und wir bedanken uns, dass Sie Polaris gewählt haben. Der Polaris ATV wurde so entworfen, dass er Ihnen jahrelangen, zuverlässigen Service bietet.

Wie die meisten mechanischen Geräte, so muss auch der Polaris periodisch nachgestellt und routinemäßige Wartungsarbeiten, mit eventuellem Ersetzen bestimmter Stressteile, durchgeführt werden. Stellen Sie sicher, dass Sie Ihren Polaris ab und zu von Ihrem örtlichen Polaris Händler oder von einem berechtigten Service Center warten lassen.

Bestehen Sie immer auf Originalersatzteilen von Polaris. Ersatzteile die nicht von Polaris stammen entsprechen nicht unseren Vorschriften. Es kann sein, dass sich diese Teile negativ auf die Funktion Ihres Polaris auswirken oder diesen sogar beschädigen.

Polaris ATV Kompletter Reiniger

- | | |
|--|----------------------|
| 1. Gehäuse des Reinigers | 7. Durchflussanzeige |
| 2. Universaladapter | 8. 45-Grad Ellbogen |
| 3. Strömungsregler | 9. 90-Grad Ellbogen |
| 4. Standard Schlauchteile (11) | |
| 5. Standard Schlauch mit Schlauchgewicht | |
| 6. Leitschlauch mit Schlauchgewicht | |



Quick Installationsanleitung

1

Identifizieren Sie die Art des Poolanschlusses und des Anschlussschlauches

Der Polaris ATV ist so ausgestattet, dass er an eine dafür zugeteilte Ansaugleitung oder an einen Schaumlöffel angeschlossen werden kann.

Eine dafür zugeteilte Ansaugleitung ist 1-1/2 Zoll bis 2 Zoll (3,8 - 5 cm) stark und befindet sich im allgemeinen 15 cm bis 30 cm unter dem Wasserspiegel, in der Mitte der längsten Wand des Pools.

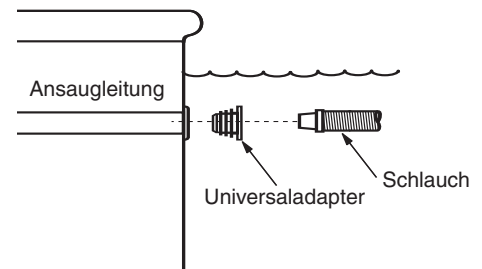
Die Schaumlöffel können ganz unterschiedlich sein, je nach Entwurf des Pools. Es werden hier die am häufigsten vertretenen Schaumlöffel besprochen. Weitere Auskunft erhalten Sie über unseren Kundendienst.

Vor der Installation:

1. Stellen Sie sicher, dass der Poolfilter und der Pumpenkorb sauber sind.
 - ➔ Achten Sie auf den Poolfilterdruck (Pfund pro Quadratzoll oder PSI), wenn der Filter sauber ist. Wenn der Druck 5-10 PSI über dem normalen PSI liegt, muss der Filter gereinigt werden.
2. Überprüfen Sie, ob für die Installation eine dafür zugeteilte Ansaugleitung vorhanden ist.
3. Wenn keine zugeteilte Ansaugleitung vorhanden ist, kann eine Schaumlöffelinstallation durchgeführt werden.
 - Stellen Sie fest, wo sich alle Schaumlöffel befinden.
 - Nehmen Sie den Schaumlöffel, der Mitte der längsten Seite des Pools am nächsten liegt, um den Polaris anzuschließen. Wenn es zwei Stellen gibt, nehmen Sie die, die der Poolausstattung am nächsten liegt.
 - Riegeln Sie den Zufluss zum Hauptabfluss und zu allen Schaumlöffeln, die vom Polaris nicht benutzt werden, ab. Wenn der Pool keine Düse zur Regulierung des Wasserflusses jedes einzelnen Schaumlöffels hat, dann riegeln Sie den Wasserfluss an der Ansaugleitung ab.
 - Entfernen Sie die Schaumlöffelabdeckung, den Korb und alle anderen Düsen, Schwimmkörper oder Abdeckplanen.
 - Wenn der Schaumlöffel zur Wasserflusskontrolle zwischen dem Schaumlöffel und dem Hauptabfluss ein Trennventil hat, dann stellen Sie die Düse auf volles abstreichen.
 - Wenn der Schaumlöffel zwei Öffnungen hat (Ansaugleitung und Hauptabflussleitung), befindet sich die Ansaugleitung am weitesten vom Rand des Pools entfernt. Bestätigen Sie dies, indem Sie den Durchfluss überprüfen.
4. Schalten Sie die Poolpumpe ab.

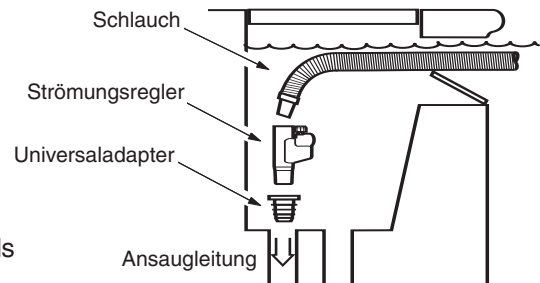
Bestimmen Sie eine Ansaugleitungsverbindung

1. Wenn eine Ansaugleitung keinen Sicherheitsvakuumverschluss hat, dann installieren Sie den Universaladapter. Wenn ein Sicherheitsverschluss vorhanden ist, dann ist kein Universaladapter nötig.
2. Befestigen Sie alle Schlauchteile ohne Gewichte an die zugeteilte Ansaugleitung.
3. Fahren Sie mit dem Anschließen des Schlauches fort.

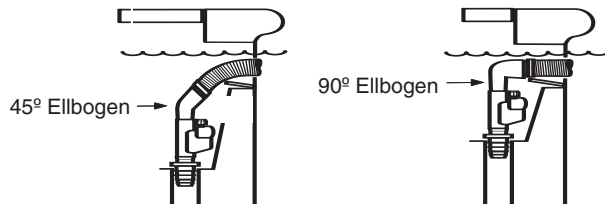


Schaumlöffelverbindung

1. Drücken Sie den Universaladapter in die Ansaugleitung, die sich unten im Schaumlöffel befindet.
2. Geben Sie den Strömungsregler in den Universaladapter.
3. Schieben Sie alle Schlauchteile, ohne Gewichte, durch die Öffnung des Schaumlöffels und befestigen Sie diese am Strömungsregler.



Tiefer Schaumlöffel Flacher Schaumlöffel



Es kann sein, dass man bei manchen Schaumlöffeln eine Ellbogenverbindung installieren muss, damit sich der Schlauch nicht verdreht oder umknickt. Für tiefe Schaumlöffel installiert man zwischen dem Strömungsregler und dem Schlauch einen 45-Grad Ellbogen. Für flache Schaumlöffel nimmt man einen 90-Grad Ellbogen.

Anschluss des Schlauches

1. Nehmen Sie den Leitschlauch, zusammen mit den Schlauchgewichten und den Standardschlauch mit den Gewichten, zur Seite.
2. Verbinden Sie die restlichen Schlauchteile und drücken Sie die Manschetten fest und sicher zusammen.
3. Befestigen Sie den Standardschlauch zusammen mit dem Schlauchgewicht an das Ende des Schlauches.
4. Befestigen Sie den Leitschlauch an das gleiche Ende. Der Leitschlauch wird an den Polaris befestigt.
5. Verbinden Sie den zusammengefügteten Schlauch mit dem Schlauchteil, das an die Poolwand befestigt ist.

2

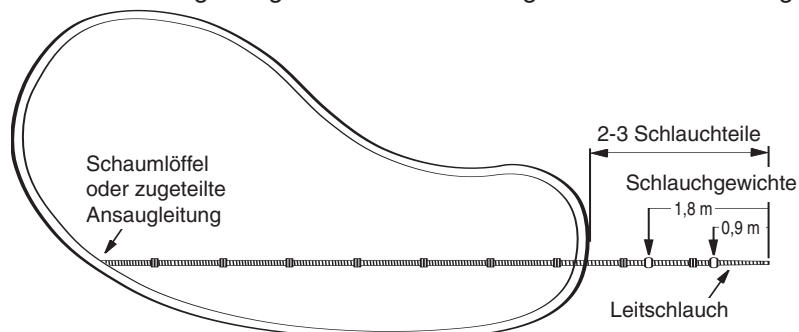
Ansaugschlauch auf die Poollänge einstellen

Mit dem Schlauch an die Poolwand befestigt, ziehen Sie den Schlauch bis zum längsten Ende des Pools. Das Schlauchende sollte 2 bis 3 Schlauchlängen über die längste Seite des Pools hinwegreichen.

Ist der Schlauch zu lang? Entfernen Sie die zu langen Teile aus der Mitte des Schlauches.

Ist der Schlauch zu kurz? Kaufen Sie zusätzliche Standardschlauchteile.

Nachdem Sie die Schlauchlänge eingestellt haben befestigen Sie die Schlauchgewichte wie dargestellt.



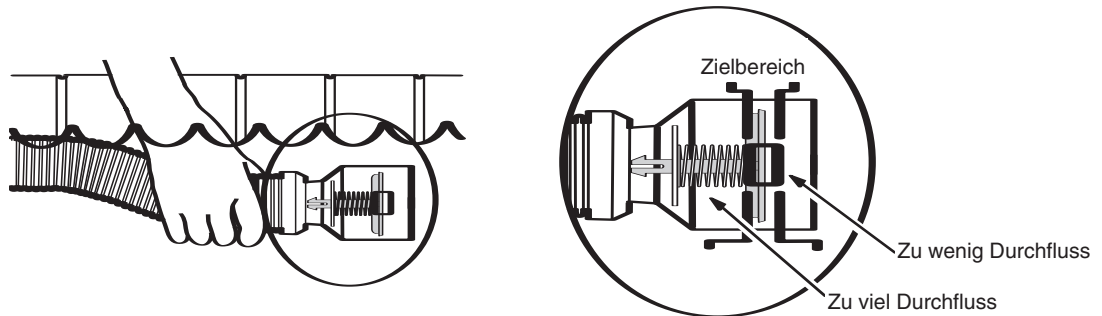
Hinweis: Bei Pools die nicht mehr als 1,50 m tief sind, sollen die Gewichte vom Leitschlauch entfernt werden und an den Standardschlauch, 1,20 m vom Polaris entfernt, befestigt werden.

3

Testen und einstellen des Wasserflusses

Für einen reibungslosen Betrieb, muss der Polaris ATV den entsprechenden Wasserfluss bekommen. Messen Sie den Wasserfluss des Pools mit der Durchflussanzeige.

1. Entfernen Sie den Schlauch und den Durchflussregler, wenn vorhanden. Füllen Sie den Schlauch komplett mit Wasser. Befestigen Sie erneut den Durchflussregler und den Schlauch.
2. Verbinden Sie den Durchflussregler mit dem Leitschlauch.
3. Halten Sie den Durchflussregler unter Wasser und schalten Sie die Pumpe ein.
4. Der Zielbereich auf dem Durchflussregler zeigt den korrekten Wasserflussbereich an.



Bei zu wenig Durchfluss:

- Stellen Sie sicher ob der Poolfilter und der Pumpenkorb sauber sind.
- Stellen Sie sicher, dass alle Ansaugleitungen zu sind, mit der Ausnahme von der Ansaugleitung, an die den Durchflussregler angeschlossen ist.
- Überprüfen Sie die Manschetten und Schlauchverbindungen auf Lecks die einen Verlust des Wasserflusses verursachen könnten.
- Zur Installation einer zugeordneten Ansaugleitung, stellen Sie die Düsen im Ausstattungsbereich, die den Wasserfluss zur Ansaugleitung steuern, so ein, bis die Anzeige innerhalb des Zielbereichs liegt. Kennzeichnen Sie die Düsen zur Referenz.
- Zur Installation des Schaumlöffels drehen Sie den Knopf des Strömungsreglers im Uhrzeigersinn, bis die Anzeige innerhalb des Zielbereichs liegt.

Bei zu hohem Durchfluss:

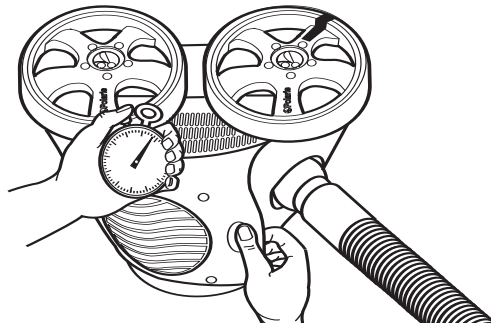
- Zur Installation einer zugeordneten Ansaugleitung, stellen Sie die Düsen im Ausstattungsbereich, die den Wasserfluss zur Ansaugleitung steuern, so ein, bis die Anzeige innerhalb des Zielbereichs anzeigt.
 - Zur Installation des Schaumlöffels drehen Sie den Knopf des Strömungsreglers gegen den Uhrzeigersinn, bis die Anzeige innerhalb des Zielbereichs anzeigt. Wenn der Knopf bis zum Anschlag gedreht ist, dann öffnen Sie den Hauptabfluss (oder einen zweiten Schaumlöffel), bis die Anzeige im Zielbereich liegt.
5. Pumpe abschalten. Halten Sie den Schlauch unter Wasser fest und entfernen Sie die Durchflussanzeige.

4

Umdrehungszahl der Räder überprüfen

Bevor Sie den Polaris bedienen sollten Sie die Räder auf die richtige Umdrehung (Umdrehungszahl pro Minute) überprüfen. Für die optimale Leistung soll der Polaris zwischen 30 und 34 Umdrehungen pro Minute laufen.

1. Markieren Sie den äußeren Rand eines der Räder.
2. Tauchen Sie den Polaris ins Wasser ein und lassen Sie alle Luft, die sich im Reiniger befindet, entweichen. Schließen Sie den Reiniger an den Schlauch an, indem Sie beide, während dieses Vorgangs, vollkommen unter Wasser halten.
3. Während Sie den Reiniger unter Wasser halten schalten Sie die Pumpe ein und zählen Sie die Radumdrehungen für eine Minute.
4. Die optimale Leistung soll zwischen 30 und 34 Umdrehungen pro Minute liegen.



Bei weniger als 30 Umdrehungen pro Minute:

- Stellen Sie sicher, dass alle Ansaugleitungen zu sind, mit der Ausnahme von der Leitung, an die der Polaris angeschlossen ist.
- Stellen Sie sicher ob der Filter und der Pumpenkorb sauber sind.
- Überprüfen Sie die Manschetten und Schlauchverbindungen auf Lecks die einen Verlust des Wasserflusses verursachen könnten.
- Zur Installation einer zugeordneten Ansaugleitung, stellen Sie die Düsen im Ausstattungsbereich so ein, bis die genaue Umdrehungen pro Minute der Räder erreicht ist. Kennzeichnen Sie die Düsen zur Referenz.
- Zur Installation des Schaumlöffels drehen Sie den Knopf des Strömungsreglers im Uhrzeigersinn, bis die genaue Umdrehungen pro Minute der Räder erreicht ist.

Bei mehr als 34 Umdrehungen pro Minute:

- Zur Installation einer zugeordneten Ansaugleitung, stellen Sie die Düsen im Ausstattungsbereich so ein, bis die genaue Umdrehungen pro Minute der Räder erreicht ist.
- Zur Installation des Schaumlöffels drehen Sie den Knopf des Strömungsreglers gegen den Uhrzeigersinn, bis die genaue Umdrehungen pro Minute der Räder erreicht ist. Wenn der Knopf bis zum Anschlag zuge dreht ist und die Umdrehungen pro Minute noch immer über 34 liegen, dann öffnen Sie den Hauptabfluss (oder einen zweiten Schaumlöffel) bis die genauen Umdrehungen pro Minute der Räder erreicht sind.

Bedienung und routinemäßige Wartung

Der Polaris ATV schaltet sich ein und aus, indem die Poolfilterpumpe alle Flächen des gesamten Pools beliebig saugt und reinigt. Das Reinigen und das Hochfahren an den Seitenwänden, hängt von dem Entwurf des Pools und vom Wasserdruck des Polaris ab. Der Polaris klettert besser bei Pools, die weniger scharfe Winkel oder Kurven zwischen dem Boden und der Wand des Pools haben.

Der Polaris ATV braucht etwa 4-1/2 Minuten für einen kompletten Reinigungszyklus. Der Polaris läuft während des Reinigungszyklus vorwärts und rückwärts und dreht sich nach rechts und nach links. Die Seitenklappe ist dazu da, dass sich der Polaris von Hindernissen trennt und der Lüfter bewirkt eine nach unten gerichtete Strömung, um die Stabilität des Reinigers zu erhöhen.

Bodenplatte

Die Bodenplatte hilft, wenn der Polaris über scharfe Kanten oder auf höher gelegene Stellen fährt. Überprüfen Sie ab und zu die Bodenplatte auf Abnutzung und ersetzen Sie diese, wenn nötig.

Propeller

Achten Sie darauf, dass sich im Propeller keine Abfälle verfangen. Durch Entfernen des Gehäuses gelangen Sie in den Propellerbereich.

Strömungsregler

Überprüfen Sie ab und zu die Einlassöffnung zum Strömungsregler und entfernen Sie Abfälle, die sich dort verfangen.

Entleeren des Pumpenkorbes

Damit der Polaris stets reibungslos läuft und die Höchstleistung bringt, sollte der Pumpenkorb regelmäßig gereinigt werden. Je mehr Abfall in den Pool gelangt, desto öfter muss der Pumpenkorb gereinigt werden.

Rückspülung des Poolfilters

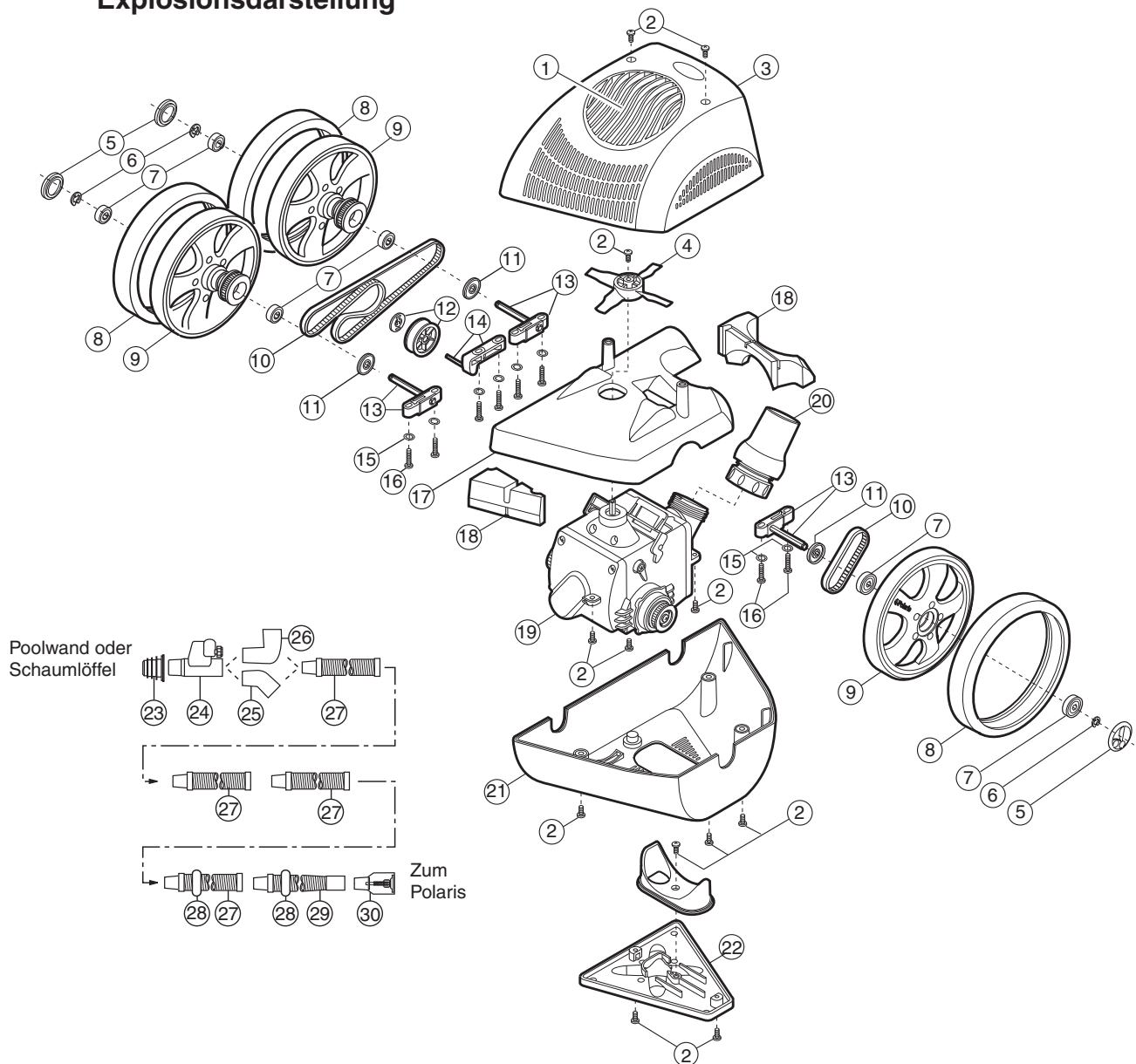
Wenn Sie den Polaris rückspülen oder reinigen, muss stets darauf geachtet werden, dass er von der Wand abmontiert wird. Nach der Rückspülung und Reinigung, muss das Filtersystem mindestens fünf Minuten laufen um die Ansaugleitungen durchzuspülen, bevor man den Polaris wieder anschließt.

Lagerung und Einwinterung

Der Polaris soll niemals im direkten Sonnenlicht gelagert werden. Vor der Aufbewahrung und Einwinterung muss das gesamte Wasser aus dem Polaris abgelassen werden (Frostschäden werden nicht von der Garantie gedeckt). Entfernen Sie alle Verbindungsstücke und Adapter von den entsprechenden Saugleitungen oder dem Schaumlöffel.

PolarisATV

Explosionsdarstellung



Deutsch

Nr.	Teile-Nr.	Bezeichnung	Anzahl	Nr.	Teile-Nr.	Bezeichnung	Anzahl
1	5-2025	Propellergitter ATV	1	17	5-1000	Rahmen	1
2	9-100-5117	Schraube, 8-32x3/8 Zoll SS Flachkopf	12	18	5-2010	Schwimmer, Top, vorne und hinten	1
3	5-2020	Obere Gehäusemontage - ATV	1	19	5-5000	Kraftmodulgerät	1
4	5-6000	Propeller	1	20	5-5060	Kippvorrichtung	1
5	5-4030	Radkappe/Nabendeckel ATV	3	21	5-2050	Bodengehäuse	1
6	9-100-5107	E-Clip, Rostfreier Stahl	7	22	5-3000	Bodenplatte*	1
7	9-100-1108	Kugellager*	6	23	5-7100	Universaladapter	1
8	5-4025	Rad, MaxTrax®, ATV*	3	24	5-7000	Strömungsregler	1
9	5-4020	Zusammenbau der Räder ATV	3	25	5-7250	Ellbogen, 45-Grad	1
10	5-5200	Riemen Bausatz, klein und gross*	1	26	5-7200	Ellbogen, 90-Grad	1
11	9-100-7011	Schutz, Lager*	3	27	5-5570	Einzelner Standardschlauch	12
12	5-1020	Riemen/Aufnahmeklemme	1	28	5-7300	Schlauchgewicht	2
13	5-4500	Achsblokmontage	3	29	5-5580	Leitschlauch	1
14	5-1010	Riemenspannblock	1	30	5-7050	Durchflussanzeige	1
15	9-100-5130	Sicherungsscheibe, Achsblock	8				
16	9-100-5115	Schraube, 8-32x3/4 Zoll SS Flachkopf	8				

* Verschleißteile sind nicht von der Garantie gedeckt.

Fehlerbehebung

Wenn der Polaris Reiniger folgende Anzeichen zeigt, kann es sein, dass Neueinstellungen durchgeführt werden müssen, um die ursprüngliche Leistung wieder herzustellen. Für Zubehörteile siehe Explosionsdarstellung.

Vorgang: Der Polaris bleibt länger als 5 Minuten an Treppen oder anderen Hindernissen hängen.

- Lösung:
1. Umdrehungen pro Minute der Räder überprüfen.
 2. Stellen Sie sicher, dass der Reiniger durchläuft. Die Räder sollen sich etwa alle 1-1/2 Minuten rückwärts bewegen.
 3. Entfernen Sie jegliche Hardware oder installieren Sie einen Leiterschutz (erhältlich von Ihrem Polaris Händler, Bestellnummer G21).

Vorgang: Der Polaris bewegt sich nur träge und läuft mit weniger Power als normal.

- Lösung:
1. Umdrehungen pro Minute der Räder überprüfen.
 2. Reinigen Sie den Poolfilter und den Pumpenkorb.
 3. Entfernen Sie das Gehäuse der Pumpe und stellen Sie sicher, dass der Propeller frei von Abfall ist.
 4. Entfernen Sie die Bodenplatte und stellen Sie sicher, dass sich im Turbinenraum kein Abfall befindet.

Vorgang: Der Polaris bleibt ständig an der oberen Wasserlinie hängen.

- Lösung:
1. Umdrehungen pro Minute der Räder überprüfen.
 2. Stellen Sie sicher, dass sich im Strömungsregler kein Abfall befindet.
 3. Verstellen Sie die Schlauchgewichte auf 1,8 m und 3,7 m vom Reiniger entfernt um.

Vorgang: Der Polaris „flippt“ oder dreht sich extrem zu einer Seite.

- Lösung:
1. Umdrehungen pro Minute der Räder überprüfen.
 2. Stellen Sie sicher, dass sich die Kippvorrichtung frei bewegt.
 3. Entfernen Sie das obere Gehäuse und stellen Sie sicher, dass sich im Propeller keine Abfälle verfangen haben.
 4. Überprüfen Sie, ob sich die Schlauchgewichte an der richtigen Stelle sind.

Vorgang: Der Schlauch verdreht sich.

- Lösung:
1. Umdrehungen pro Minute der Räder überprüfen.
 2. Stellen Sie sicher, dass der Schlauch auf die richtige Länge eingestellt ist und dass sich die Gewichte an der richtigen Stelle befinden.
 3. Stellen Sie sicher, dass der Reiniger durchläuft. Die Räder sollen sich etwa alle 1-1/2 Minuten rückwärts bewegen.
 4. Wenn der Polaris an eine dafür zugeteilte Ansaugleitung installiert ist, dann befestigen sie einen 45-Grad Ellbogen mit dem Winkel nach oben und befestigen Sie daran den Schlauch.

Vorgang: Während des Betriebes kommen Luftblasen aus der Rücklaufleitung.

- Lösung:
1. Umdrehungen pro Minute der Räder überprüfen.
 2. Stellen Sie sicher, dass die Schlauchverbindungen sicher befestigt und dicht sind.
 3. Stellen Sie sicher, dass die Schaumlöffelverbindungen und die Adapter sicher befestigt und dicht sind.

Vorgang: Der Polaris bewegt sich nicht.

- Lösung:
1. Entfernen Sie die Bodenplatte und stellen Sie sicher, dass sich im Turbinenbereich keine Abfälle verfangen haben.
 2. Entfernen Sie das obere Gehäuse und stellen Sie sicher, dass sich im Propeller keine Abfälle verfangen haben.
 3. Überprüfen Sie den Wasserfluss. Wenn er zu niedrig ist:
 - a. Poolfilter und Pumpenkorb reinigen.
 - b. Stellen Sie sicher, dass der Schaumlöffel oder die zugeteilte Ansaugleitungsverbindung dicht ist.
 - c. Justieren Sie den Strömungsregler oder die Ansaugleitungsdüse im Ausstattungsbereich. Wenn Sie den richtigen Wasserfluss erreicht haben, dann überprüfen Sie nochmals die Umdrehungen pro Minute der Räder.
 4. Entfernen Sie das untere Gehäuse um sicher zu stellen, dass alle Riemen die richtige Spannung haben.

Información importante

- Antes de instalar el Polaris, asegúrese de que el filtro de la piscina esté limpio.
- Si la tubería del agua es nueva, debiera purgarse antes de instalar el Polaris.
- El Polaris no debiera utilizarse para aspirar el polvo de yeso de las piscinas nuevas.
- A excepción de cuando compruebe las revoluciones de la rueda, no toque el Polaris mientras esté funcionando.
- Jamás levante el Polaris por la manguera.
- Quite siempre el Polaris antes de que los nadadores entren en la piscina.
- Desconecte siempre el Polaris de la pared de la piscina cuando limpie o lave el filtro en contracorriente.
- Después de limpiar o lavar el filtro en contracorriente, deje que el sistema de filtración funcione durante al menos cinco minutos antes de volver a conectar el Polaris.
- Retire siempre el Polaris de la piscina antes de efectuar tratamiento químico intensivo del agua.

Atención a clientes o apoyo técnico:

- Envíe inmediatamente por correo la tarjeta de garantía.
- Para apoyo técnico en línea: www.polarispool.com
- Para comunicarse con Polaris: **US and Canada**
Customer Service
2620 Commerce Way
Vista, CA 92081-8438
1-800-822-7933

Polaris ATV Garantía

Ud. ha elegido la marca Polaris ATV y le agradecemos su confianza. Este producto se ha diseñado, fabricado y controlado con el mayor esmero para proporcionarle plena satisfacción

La garantía es válida para 2 años a partir de la fecha de facturación al primer usuario.

ADVERTENCIA: USO DEL POLARIS ATV EN UNA PISCINA REVESTIDA DE VINILO

Los dibujos en algunos revestimientos de vinilo son especialmente susceptibles a desgaste superficial o borrado del dibujo, como resultado de que entren en contacto con la superficie vinílica determinados objetos, tales como cepillos, juguetes de piscina, flotadores, fuentes, surtidores de cloro y limpiafondos automáticos. Los dibujos de algunos revestimientos de vinilo pueden rayarse o rasgarse de manera considerable simplemente al rozar la superficie con un cepillo de piscina. También puede borrarse la tinta del dibujo durante la instalación o al entrar en contacto con objetos en la piscina. Zodiac no asume responsabilidad alguna por el borrado del dibujo o el rayado o rasgado del revestimiento de vinilo, ni la garantía limitada cubre estas contingencias.

Introducción

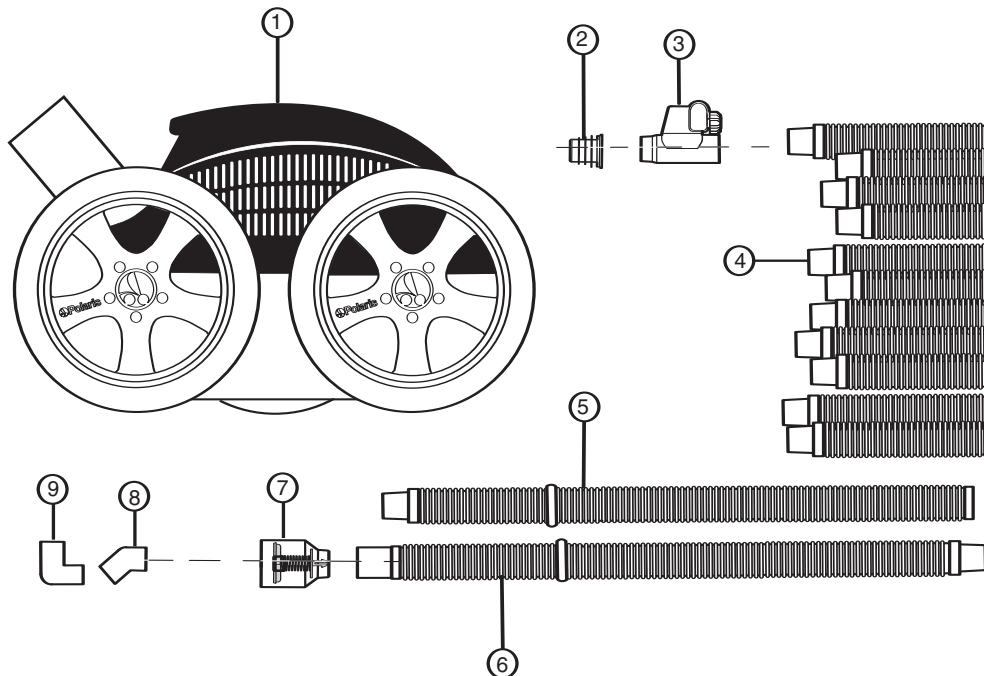
Reciba nuestras felicitaciones por la compra de su nuevo limpiafondos automático y gracias por preferir Polaris. El diseño del limpiafondos Polaris ATV le brindará muchos años de servicio confiable y eficiente.

Al igual que muchos dispositivos mecánicos, el Polaris requiere de ajustes y mantenimiento periódico, así como la reposición eventual de algunas piezas de uso muy intensivo. Asegúrese de que el Polaris sea revisado ocasionalmente por su distribuidor local de Polaris o por un centro de servicio autorizado.

Siempre insista en genuinas piezas de repuesto Polaris. Las piezas de otras marcas no están fabricadas a nuestras especificaciones. Podrían afectar adversamente el funcionamiento de su Polaris y hasta dañarlo.

Limpiafondos completo Polaris ATV

1. Cuerpo del limpiafondos
2. Adaptador universal
3. Regulador de flujo
4. Tramos de manguera normal (11)
5. Manguera normal con peso
6. Tramo-guía de la manguera, con peso
7. Indicador de flujo
8. Codo de 45 grados
9. Codo de 90 grados



Instrucciones para la instalación rápida

1

Identifique el tipo de conexión de la piscina y conecte la manguera

El Polaris ATV viene equipado para conectarse a una línea de succión exclusiva o a un skimmer.

Una línea de succión exclusiva generalmente es un tubo de 3,8 a 5 cm que se encuentra de 15 a 30 cm debajo de la superficie del agua, en el centro de la pared más larga de la piscina.

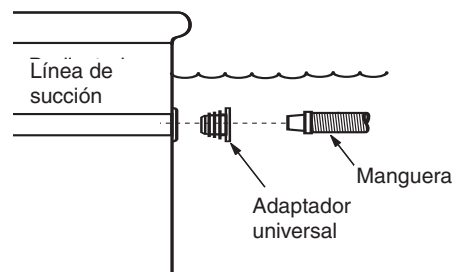
Los skimmers pueden variar considerablemente, de acuerdo con el diseño de la piscina. A continuación se describe la conexión de algunos de los skimmers más comunes. Para mayores informes, comuníquese con el Departamento de Atención a Clientes.

Antes de instala

1. Asegúrese que el filtro de la piscina y el cesto de la bomba se encuentren limpios.
 - ➔ Tome nota de la presión del filtro de la piscina (kilopascales o kPa), cuando el filtro se encuentre limpio. Cuando la presión se encuentre de 34 a 69 kPa sobre la presión inicial, limpie el filtro.
2. Determine si una línea de succión exclusiva se encuentra disponible para su instalación.
3. Si no existe una línea de succión exclusiva, se utilizará una instalación para skimmer.
 - Identifique la ubicación de todos los skimmers.
 - Para conectar el Polaris, utilice el skimmer más próximo al centro de la pared más larga de la piscina. Si existen dos, use el más cercano al equipo de la piscina.
 - Corte el flujo al desagüe principal, así como a todos los skimmers que no vayan a ser usados por el Polaris. Si la piscina no cuenta con una válvula para regular el flujo a cada skimmer, cierre el flujo en la línea de succión.
 - Quite la tapa del skimmer, el cesto y cualquier otra válvula, flotador o cubierta.
 - Si el skimmer cuenta con una válvula desviadora para controlar el flujo de agua entre el skimmer y el desagüe principal, ajuste la válvula para desnatado completo.
 - Si el skimmer cuenta con dos aberturas (línea de succión y línea principal de desagüe), la línea de succión generalmente es la más alejada de la orilla de la piscina. Verifíquelo revisando el flujo.
4. Apague la bomba de la piscina.

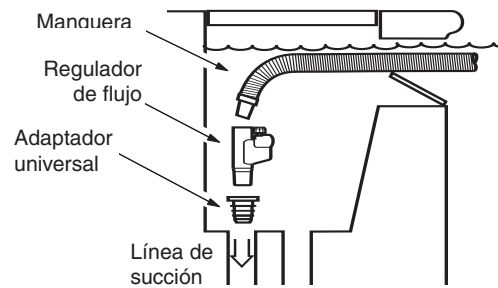
Conexión de la línea de succión exclusiva

1. Si la línea de succión no cuenta con acoplamiento de seguridad con sellado al vacío, instale el adaptador universal. Si se cuenta con acoplamiento de seguridad, no será necesario el adaptador universal.
2. Sujete cualquier tramo de la manguera, sin pesos, a la línea de succión exclusiva.
3. Pase luego a la conexión de la manguera.

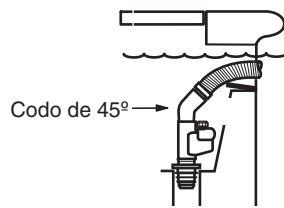


Conexión del skimmer

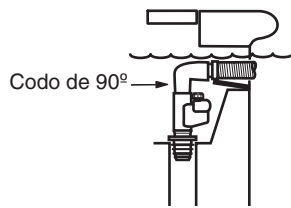
1. Presione el adaptador universal a la línea de succión en la parte inferior del skimmer.
2. Coloque el regulador de flujo en el adaptador universal.
3. Pase cualquier tramo de la manguera, sin pesos, a través de la abertura del skimmer y sujételo al regulador de flujo.



Skimmer profundo



Skimmer poco profundo



En algunos skimmers podría ser necesario instalar un conector de codo para impedir que la manguera se enrede. En skimmers profundos, instale el codo de 45-grados entre el regulador de flujo y la manguera. Puede usar el codo de 90 grados para skimmers poco profundos.

Conexión de la manguera

1. Separe el tramo-guía de la manguera con su peso y la manguera normal con su peso.
2. Conecte los tramos restantes de la manguera, presionando firmemente los puños conectores.
3. Sujete la manguera normal, con su peso, al final de la manguera.
4. Conecte el tramo-guía a la misma punta. Es el tramo-guía el que se conecta al Polaris.
5. Conecte la manguera ya armada al tramo de manguera sujeto a la pared de la piscina.

2

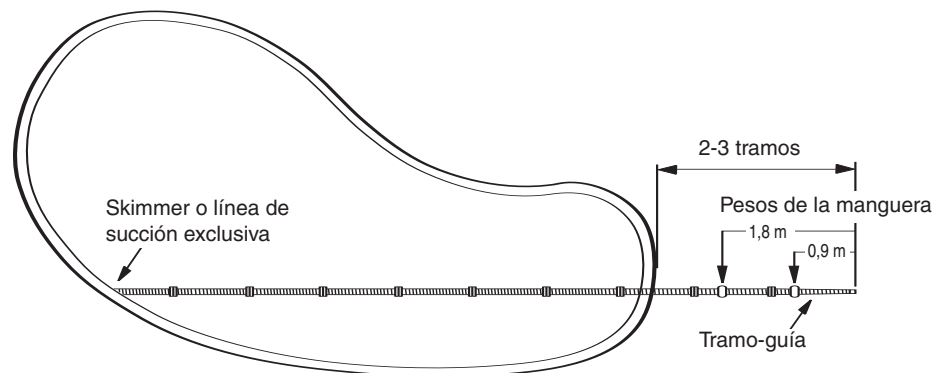
Ajuste la manguera de succión al tamaño de la piscina

Con la manguera conectada a la pared de la piscina, extienda la manguera hasta el punto más alejado de la piscina. La punta de la manguera debe extenderse dos o tres tramos de manguera más allá del punto más distante.

¿Queda demasiado larga la manguera? Corte, de la parte de en medio, los tramos excedentes.

¿Resulta demasiado corta la manguera? Compre tramos adicionales de manguera normal.

Una vez ajustado el tamaño de la manguera, coloque los pesos como se muestra en el dibujo.



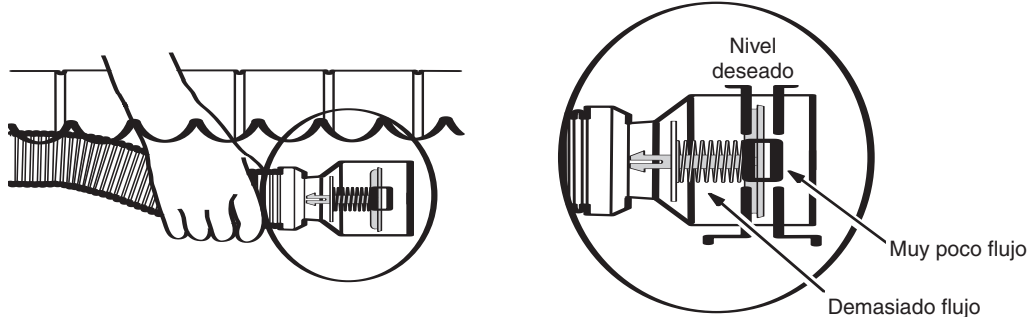
Nota: En piscinas de menos de 1.5 metros de profundidad, quite la peso del tramo-guía y posiciónela sobre la manguera normal, a una distancia de cuatro pies del Polaris.

3

Pruebe y ajuste el flujo de agua

Para funcionar correctamente, el Polaris ATV debe recibir el flujo adecuado de agua. Use el indicador de flujo para verificar el flujo de agua disponible en la piscina.

1. Desconecte la manguera y el regulador de flujo, si es que se usa. Llene la manguera completamente con agua y luego vuelva a conectar el regulador de flujo y la manguera.
2. Conecte el indicador de flujo al tramo-guía de la manguera.
3. Encienda la bomba mientras sostiene el indicador de flujo debajo del agua.
4. El nivel deseado en el indicador del flujo representa la extensión correcta del flujo de agua.



Si es **muy poco el flujo**:

- Asegúrese que se encuentren limpios el filtro de la piscina y el cesto de la bomba.
- Asegúrese que todas las líneas de succión se encuentren cerradas, salvo la utilizada por el indicador del flujo.
- Revise los puños y conexiones de la manguera en busca de fugas que pudieran provocar una pérdida del flujo.
- En instalaciones con línea de succión exclusiva, ajuste la válvula del equipo que controla el flujo de agua a la línea de succión, hasta que el indicador se encuentre dentro del nivel deseado. Anote la posición de las válvulas para consulta futura.
- Para instalaciones de skimmer, gire la perilla a la derecha en el regulador de flujo hasta que el indicador se encuentre dentro del área deseada.

Si es **demasiado el flujo**:

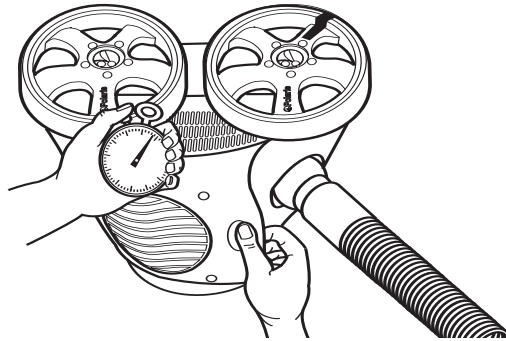
- En instalaciones con línea de succión exclusiva, ajuste la válvula del equipo que controla el flujo de agua a la línea de succión, hasta que el indicador se encuentre dentro del nivel deseado.
 - Para instalaciones de skimmer, gire la perilla a la izquierda en el regulador del flujo hasta que el indicador se encuentre dentro del área deseada. Si gira la perilla hasta el tope, abra el desagüe principal (o un segundo skimmer), hasta que el indicador se encuentre dentro del nivel deseado.
5. Apague la bomba. Sostenga la manguera debajo del agua y retire el indicador de flujo.

4

Verifique las revoluciones de la rueda

Antes de operar el Polaris, asegúrese que la rueda esté girando a las revoluciones por minuto (RPM) correctas. Para lograr la máxima eficiencia, el Polaris debe operar entre 30 y 34 RPM.

1. Marque la orilla exterior de un neumático.
2. Sumerja el Polaris y extraiga todo aire del limpiafondos. Conecte el limpiafondos a la manguera, manteniéndolo completamente sumergido.
3. Con el limpiafondos debajo el agua, encienda la bomba y cuente las revoluciones de la rueda durante un minuto.
4. La velocidad óptima es de entre 30 y 34 RPM.



Si la cuenta es **inferior a 30 RPM:**

- Asegúrese que todas las líneas de succión se encuentren cerradas, salvo la utilizada por el Polaris.
- Asegúrese que se encuentren limpios el filtro de la piscina y el cesto de la bomba.
- Revise los puños y conexiones de la manguera en busca de fugas que pudieran provocar una pérdida de flujo.
- En instalaciones con línea de succión exclusiva, ajuste la válvula en el área del equipo hasta lograr las RPM correctas en la rueda. Anote las posiciones de la válvula para consulta futura.
- Para instalaciones de skimmer, gire la perilla a la derecha en el regulador hasta lograr las RPM correctas en la rueda.

Si la cuenta es **superior a 34 RPM:**

- En instalaciones con línea de succión exclusiva, ajuste la válvula del equipo hasta lograr las RPM correctas en la rueda.
- Para instalaciones de skimmer, gire la perilla a la izquierda en el regulador de flujo hasta lograr las RPM correctas en la rueda. Si gira la perilla hasta el tope y las RPM siguen siendo superiores a 34, abra el desagüe principal (o un segundo skimmer), hasta lograr las RPM correctas.

Operación y mantenimiento de rutina

El ciclo de encendido y apagado del Polaris ATV concuerda con la aspiración y limpieza al azar de todas las superficies de la piscina por parte de la bomba de filtración. La habilidad del Polaris de escalar las paredes depende de la configuración de la piscina y el flujo del agua. Podrá escalar mejor en piscinas sin curvas o ángulos pronunciados en la transición del fondo a las paredes.

El Polaris ATV completa un ciclo de limpieza aproximadamente cada 4-1/2 minutos. Durante un ciclo, el Polaris se desplaza tanto hacia adelante como hacia atrás y gira a la derecha y a la izquierda. La compuerta desviadora libra al limpiafondos de obstáculos potenciales, mientras que el ventilador crea una corriente descendente para dar mayor estabilidad al limpiafondos.

Placa inferior

La placa inferior ayuda al Polaris a recorrer esquinas pronunciadas o áreas elevadas. Revise periódicamente el desgaste de la placa inferior y reemplácela según sea necesario.

El aspa

Mantenga el aspa libre de basura. Para obtener acceso al área del aspa, quite la tapa superior.

Regulador de flujo

Revise periódicamente la entrada al regulador de flujo y retire toda basura acumulada.

Vaciado del cesto de la bomba

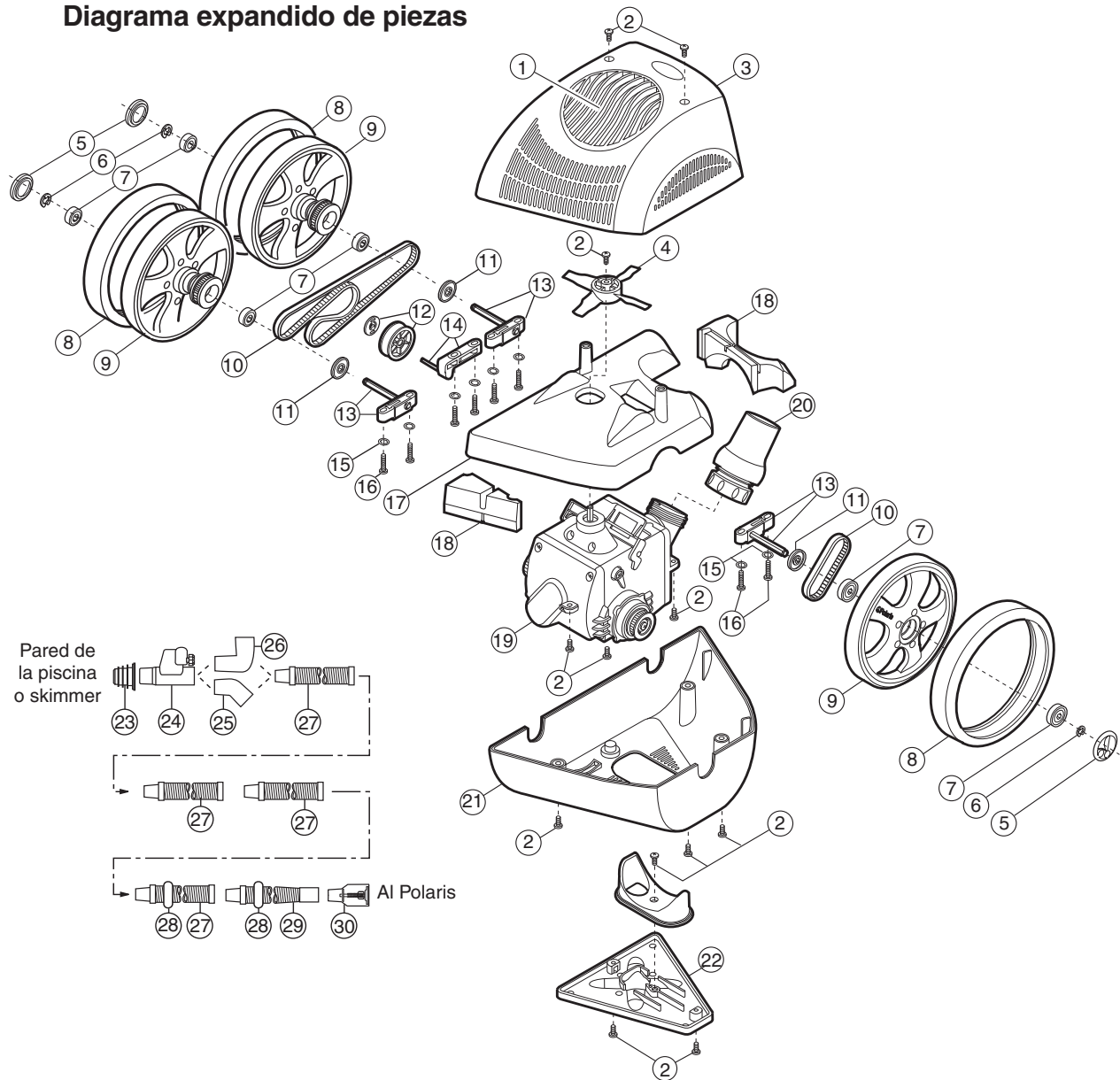
Vacíe el cesto de la bomba periódicamente para que el Polaris funcione a su máxima eficiencia. Entre mayor sea la basura en la piscina, mayor debe ser la frecuencia con que se vacíe el cesto.

Enjuague del filtro de la piscina

Siempre desconecte el Polaris de la pared de la piscina antes de limpiar o enjuagar el filtro. Después de limpiarlo o enjuagarlo, deje correr el sistema de filtración durante cuando menos cinco minutos para limpiar las líneas de succión, antes de volver a conectar el Polaris.

Almacenaje y preparativos para el invierno

Nunca guarde el Polaris a luz solar directa. Al almacenarlo para el invierno, drene todo el agua de las líneas de conducción. (La garantía no cubre daños por congelación.) Quite todos los conectores y adaptadores de la línea de succión exclusiva o del skimmer.



No.	No. pieza	Descripción	Cant.	No.	No. pieza	Descripción	Cant.
1	5-2025	Enrejado del aspa ATV	1	17	5-1000	Armazón	1
2	9-100-5117	Tornillo 8-32 x 3/8", cabeza plana	12	18	5-2010	Flotador, parte superior, delantera y posterior	1
3	5-2020	Tapa superior - ATV	1	19	5-5000	Conjunto del módulo de potencia	1
4	5-6000	Aspa	1	20	5-5060	Conjunto de conexión giratoria	1
5	5-4030	Tapa de cubo ATV	3	21	5-2050	Tapa inferior	1
6	9-100-5107	Abrazadera E, acero inoxidable	7	22	5-3000	Placa inferior*	1
7	9-100-1108	Rodamiento*	6	23	5-7100	Adaptador universal	1
8	5-4025	Neumático, MaxTrax®, ATV*	3	24	5-7000	Regulador de flujo	1
9	5-4020	Conjunto de ruedas ATV	3	25	5-7250	Codo de 45 grados	1
10	5-5200	Juego de bandas, pequeñas y grandes*	1	26	5-7200	Codo de 90 grados	1
11	9-100-7011	Protector de cojinete*	3	27	5-5570	Manguera sencilla, normal	12
12	5-1020	Polea y abrazadera de retención	1	28	5-7300	Peso de la manguera	2
13	5-4500	Montaje de soporte de eje	3	29	5-5580	Tramo-guía de la manguera	1
14	5-1010	Bloque tensor de la banda	1	30	5-7050	Indicador de flujo	1
15	9-100-5130	Arandela de cierre, bloque del eje	8				
16	9-100-5115	Tornillo, 8-32 x 3/4", cabeza plana	8				

* Los componentes sujetos a desgaste no quedan comprendidos por la garantía.

Resolución de problemas

Si el limpiafondos Polaris muestra cualquiera de las siguientes acciones, podría resultar necesario hacer algunos ajustes para lograr el máximo rendimiento. Consulte el diagrama detallado de las piezas para obtener las referencias de éstas.

Acción: El Polaris se atora más de 5 minutos en los escalones u otros obstáculos.

- Solución:
1. Revise las RPM de la rueda.
 2. Verifique que el limpiafondos esté ciclando. Las ruedas deben voltearse hacia atrás aproximadamente cada 1-1/2 minutos.
 3. Retire todo equipo innecesario de la piscina o instale un juego protector de escalones (pieza No G21, que puede ordenar de un distribuidor Polaris).

Acción: El Polaris se muestra muy lento, con menos potencia que lo normal.

- Solución:
1. Revise las RPM de la rueda.
 2. Limpie el filtro de la piscina y el cesto de la bomba.
 3. Quite la tapa superior y verifique que el aspa se encuentre libre de basura.
 4. Quite la placa inferior y verifique que la turbina se encuentre libre de basura.

Acción: El Polaris se atora constantemente en la línea de flotación.

- Solución:
1. Revise las RPM de la rueda.
 2. Verifique que el regulador del flujo se encuentre libre de basura.
 3. Coloque los pesos de la manguera a 1,8 m y a 3,7 m del limpiafondos.

Acción: El Polaris gira o se voltea severamente de un lado.

- Solución:
1. Revise las RPM de la rueda.
 2. Verifique que el conjunto giratorio pueda moverse libremente.
 3. Quite la tapa superior y asegúrese que el aspa se encuentre libre de basura.
 4. Revise los pesos de la manguera para asegurar su posicionamiento correcto

Acción: Se enrolla la manguera.

- Solución:
1. Revise las RPM de la rueda.
 2. Verifique que la manguera ha sido ajustada al tamaño debido y que los pesos se han posicionado correctamente.
 3. Verifique que el limpiafondos esté ciclando. Las ruedas deben girar hacia atrás aproximadamente cada 1-1/2 minutos.
 4. Si se encuentra instalada sobre una línea de succión exclusiva, conecte el codo de 45-grados con el ángulo hacia arriba y sujete la manguera.

Acción: Salen burbujas de aire de la línea de retorno durante la operación.

- Solución:
1. Revise las RPM de la rueda.
 2. Verifique que estén bien sujetas las conexiones de la manguera.
 3. Verifique que estén bien sujetas las conexiones de los skimmers y adaptadores.

Acción: El Polaris no se mueve.

- Solución:
1. Quite la placa inferior y verifique que la turbina se encuentre libre de basura.
 2. Quite la tapa superior y verifique que el aspa se encuentre libre de basura.
 3. Vea si el flujo de agua es el adecuado. Si es bajo:
 - a. Limpie el filtro de la piscina y el cesto de la bomba.
 - b. Verifique que el skimmer o línea de succión exclusiva se encuentre segura.
 - c. Ajuste el regulador del flujo o la válvula de la línea de succión en el área del equipo. Vuelva a revisar las RPM de la rueda una vez logrado el flujo correcto.
 4. Quite la tapa inferior para ver si las bandas se encuentran a la tensión debida.

Informazioni importanti

- Prima di installare il Polaris, accertarsi che il filtro della piscina sia pulito.
- Le tubature nuove devono essere lavate a fondo prima di installare il Polaris.
- Il Polaris non va utilizzato per rimuovere la polvere dell'intonaco di una piscina nuova.
- Non maneggiare mai il Polaris quando è in funzione a meno che non si debba controllare l'RPM (numero di giri al minuto) delle ruote.
- Non sollevare mai il Polaris prendendolo dal tubo flessibile.
- Togliere sempre il Polaris dalla piscina prima che vi entrino i bagnanti.
- Scollegare sempre il Polaris dalla parete della piscina quando si pulisce o si lava il suo filtro.
- Dopo avere pulito o lavato il filtro, lasciare che l'impianto di filtrazione funzioni per almeno cinque minuti prima di ricollegare il Polaris.
- Togliere sempre il Polaris dalla piscina prima di trattare l'acqua con agenti chimici.

Per assistenza clienti o supporto

- Si prega di inviare immediatamente la cartolina della garanzia
- Per supporto on-line www.polarispool.com
- Per contattare la Polaris: **US and Canada**
Customer Service
2620 Commerce Way
Vista, CA 92081-8438
1-800-822-7933

Polaris ATV Garanzia

Lei ha scelto la marca Polaris ATV e noi perciò la ringraziamo per la sua fiducia. Questo prodotto è stato ideato, prodotto e controllato con la massima cura per garantirne la completa soddisfazione.

La durata della garanzia è fissata ad 2 annos a partire dalla data di fatturazione al primo utente..

AVVERTENZA: USO DEL POLARIS ATV IN UNA PISCINA CON RIVESTIMENTO IN VINILE

Certi rivestimenti in vinile hanno dei disegni che sono particolarmente suscettibili a usura superficiale rapida o a cancellazione del disegno causati dal contatto con vari oggetti, compreso spazzole, giocattoli acquatici, galleggianti, fontane, distributori per la clorazione e dispositivi automatici per la pulizia di piscine. I disegni di alcuni rivestimenti in vinile possono venire seriamente danneggiati con graffiature semplicemente strofinando la superficie con una spazzola per piscine. L'inchiostro del disegno può anche cancellarsi durante l'installazione o quando viene a contatto di oggetti posti nella piscina. La Zodiac non assume responsabilità per la cancellazione, abrasione o segnatura di un rivestimento in vinile e tali danni non sono coperti dalla garanzia limitata.

Introduzione

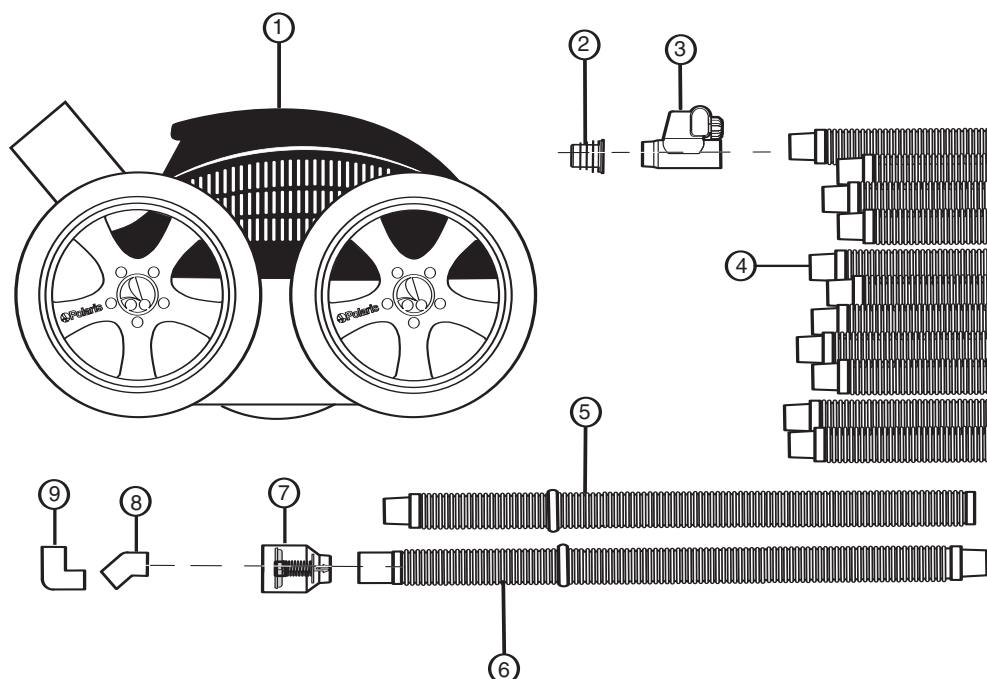
Congratulazioni per l'acquisto di un nuovo dispositivo di pulizia automatica per piscine e grazie di avere scelto un Polaris. Il Polaris ATV è stato progettato per fornire anni di servizio affidabile ed efficiente.

Come tutti i dispositivi meccanici, il Polaris richiede regolazioni periodiche, una manutenzione regolare e la sostituzione di certe parti sottoposte a lavoro pesante. Accertarsi che il Polaris venga controllato di tanto in tanto da parte del rivenditore Polaris locale o di un centro di servizio autorizzato.

Richiedere sempre che vengano usate parti di ricambio originali Polaris. Pezzi di ricambio di altre marche non sono prodotti secondo le specifiche della fabbrica. Tali pezzi possono influire in modo negativo sulle prestazioni del Polaris e possono anche danneggiarlo.

Dispositivo di pulizia completo Polaris ATV

1. Corpo del dispositivo di pulizia
2. Adattatore universale
3. Regolatore di flusso
4. Sezioni standard di tubo flessibile (11)
5. Sezione standard di tubo flessibile con peso
6. Tubo flessibile di guida con peso
7. Indicatore di flusso
8. Angolo a 45 gradi
9. Angolo a 90 gradi



Istallazioni per l'installazione rapida

1 Individuazione del tipo di connessione e collegamento del tubo flessibile

Il Polaris ATV viene fornito attrezzato per il collegamento a una linea di aspirazione dedicata o allo skimmer della piscina.

Una linea di aspirazione dedicata consiste in una tubatura di aspirazione da 1-1/2 e 2 pollici (3,8-5 cm) solitamente situata a 15-30 cm di profondità sotto il livello dell'acqua, al centro della parete più lunga della piscina.

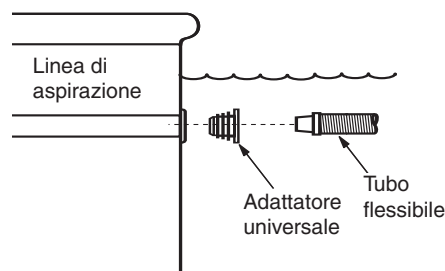
Gli skimmer possono essere molto diversi e dipendono dalla progettazione della piscina. Qui vengono trattati i tipi di skimmer più comuni. Per altre informazioni, mettersi in contatto con l'Assistenza Clienti.

Prima dell'installazione:

1. Accertarsi che il filtro della piscina e il cestello della pompa siano puliti.
 - ➔ Prendere nota della pressione (psi o misura metrica equivalente) del filtro della piscina quando il filtro è pulito. Quando la pressione supera di 34-69 kPa (5-10 psi) il valore di pressione registrato, pulire il filtro.
2. Determinare se si dispone di una linea di aspirazione dedicata per l'installazione.
3. Se non è disponibile una linea di aspirazione dedicata, si dovrà eseguire un'installazione a skimmer.
 - Individuare la posizione di tutti gli skimmer.
 - Per collegare il Polaris, usare lo skimmer più vicino al centro della parete più lunga della piscina. Se ce ne sono due, usare quello più vicino all'apparecchiatura della piscina.
 - Bloccare lo scarico principale e tutti gli skimmer che non verranno usati per il collegamento del Polaris. Se la piscina non è dotata di una valvola di regolazione individuale degli skimmer, bloccare il flusso alla linea di aspirazione.
 - Togliere la copertura dello skimmer, il cestello e qualunque altra valvola, galleggiante o coperchio.
 - Se lo skimmer è dotato di una valvola di deviazione che controlla il flusso tra lo skimmer e lo scarico principale, regolare la valvola in modo da fornire la completa azione dello skimmer.
 - Se lo skimmer ha due aperture (linea di aspirazione e linea dello scarico principale), la linea di aspirazione è generalmente quella più lontana dal bordo della piscina. Verificare controllando il flusso.
4. Spegnerla pompa della piscina.

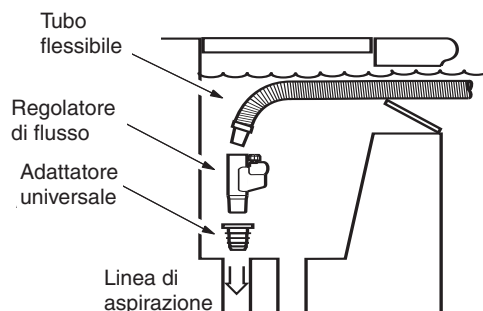
Collegamento a linea di aspirazione dedicata

1. Se la linea di aspirazione non è dotata di un raccordo di sicurezza, installare l'adattatore universale. Se è presente un dispositivo di sicurezza, l'adattatore universale non è necessario.
2. Collegare alla linea di aspirazione una sezione qualsiasi del tubo flessibile senza pesi.
3. Andare alla fase Collegamento del tubo flessibile.

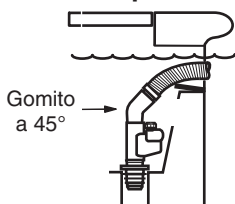


Collegamento a skimmer

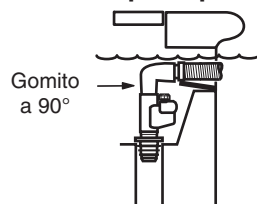
1. Spingere l'adattatore universale nella linea di aspirazione sul fondo dello skimmer.
2. Inserire il regolatore di flusso nell'adattatore universale.
3. Inserire nell'apertura dello skimmer una sezione qualsiasi del tubo flessibile senza pesi e collegarla al regolatore di flusso.



Skimmer profondo



Skimmer poco profondo



Per evitare che il tubo si attorcigli, in alcuni skimmer può rendersi necessario installare un raccordo a gomito. Per skimmer profondi, installare un gomito a 45 gradi tra il regolatore di flusso e il tubo flessibile. Per skimmer poco profondi, usare un gomito a 90 gradi.

Collegamento del tubo flessibile

1. Mettere da parte il tubo di guida con il peso e il tubo standard con il peso.
2. Collegare le sezioni di tubo rimanenti accoppiando gli attacchi in modo sicuro.
3. Collegare alla fine del tubo flessibile il segmento di tubo standard con peso.
4. Attaccare alla stessa estremità il tubo di guida. Il tubo di guida si collega quindi al Polaris.
5. Collegare il tubo flessibile così montato alla sezione già collegata alla parete della piscina.

2

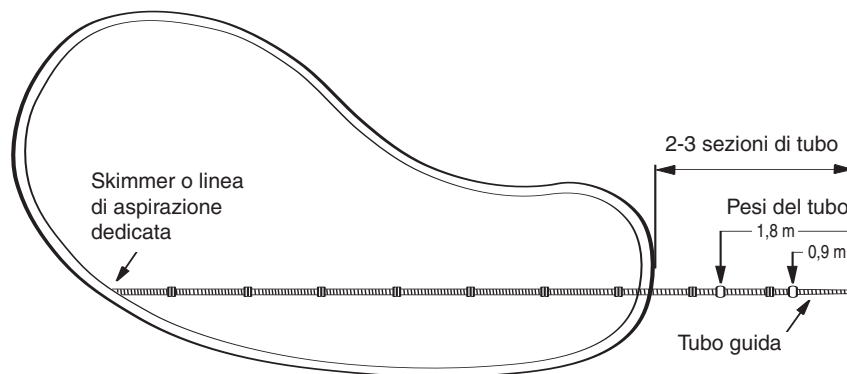
Regolazione della lunghezza del tubo di aspirazione in modo che si adatti a quella della piscina

Con il tubo flessibile collegato alla parete della piscina, estendere il tubo sino a raggiungere il punto più lontano della piscina. L'estremità del tubo deve estendersi di 2-3 sezioni di tubo oltre il punto più lontano della piscina.

Il tubo è troppo lungo? Eliminare le sezioni di tubo flessibile che non servono togliendole dalla parte centrale del tubo.

Il tubo è troppo corto? Procurarsi altre sezioni di tubo standard.

Dopo avere regolato la lunghezza del tubo, sistemare i pesi nel modo indicato.



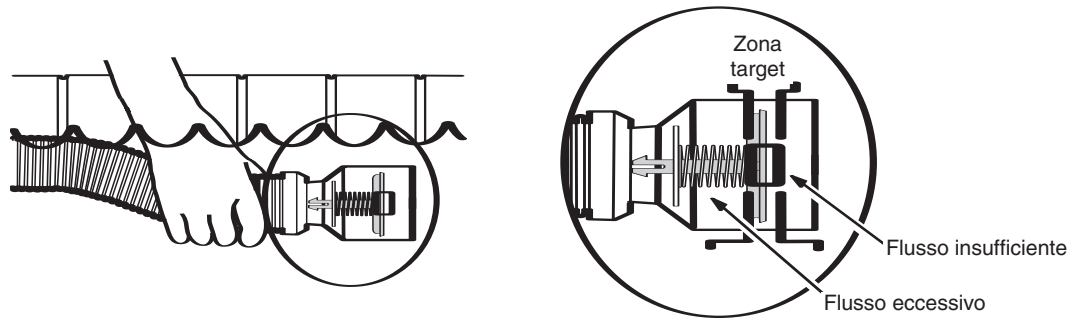
Nota: per piscine di meno di 1,5 m (5 piedi) di profondità, togliere il peso dal tubo di guida e metterlo sul tubo standard a 1,2 m (4 piedi) dal Polaris.

3

Prova e regolazione del flusso dell'acqua

Per funzionare in modo corretto, il Polaris deve ricevere un flusso d'acqua adeguato. Controllare il flusso di circolazione dell'acqua nella piscina usando l'indicatore di flusso.

1. Scollegare il tubo flessibile e il regolatore di flusso, se lo si usa. Riempire completamente d'acqua il tubo flessibile. Ricollegare il regolatore di flusso e il tubo.
2. Collegare l'indicatore di flusso al tubo di guida.
3. Accendere la pompa tenendo l'indicatore di flusso sott'acqua.
4. La zona target dell'indicatore di flusso rappresenta l'intervallo corretto di flusso dell'acqua.



Se il flusso è **insufficiente**:

- Controllare che il filtro della piscina e il cestello della pompa siano puliti.
- Controllare che tutte le linee di aspirazione siano chiuse all'infuori di quella utilizzata per l'indicatore di flusso.
- Controllare l'accoppiamento delle sezioni di tubo per garantire che non ci siano perdite che possono ridurre il flusso.
- Nelle piscine con linea di aspirazione dedicata, regolare la valvola di regolazione del flusso dell'acqua situata nell'area dell'apparecchiatura finché l'indicatore non segnali un valore rientrante nella zona target. Marcare le valvole per riferimento.
- Nelle installazioni a skimmer, ruotare la manopola del regolatore del flusso in senso orario finché l'indicatore non segnali un valore che rientra nella zona target.

Se il flusso è **eccessivo**:

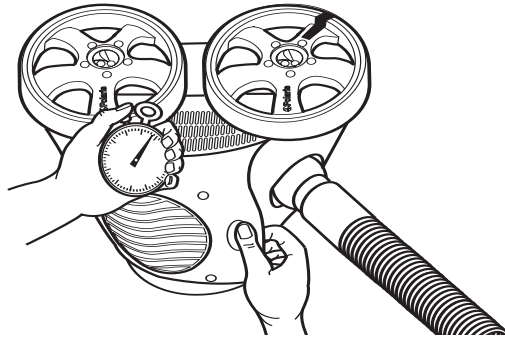
- Nelle piscine con linea di aspirazione dedicata, regolare la valvola di regolazione del flusso dell'acqua situata nell'area dell'apparecchiatura finché l'indicatore non segnali un valore rientrante nella zona target.
 - Nelle installazioni a skimmer, ruotare la manopola del regolatore del flusso in senso antiorario finché l'indicatore non segnali un valore che rientra nella zona target. Se la manopola è già ruotata al massimo, aprire lo scarico principale (o un secondo skimmer) finché l'indicatore non segnali un valore che rientra nella zona target.
5. Spegner la pompa. Togliere l'indicatore del flusso mantenendo il tubo flessibile sott'acqua.

4

Controllo dell'RPM delle ruote

Prima di mettere in funzione il Polaris, controllare che il numero di giri al minuto (RPM) delle ruote sia corretto. Per ottenere il miglior risultato, l'RPM deve essere tra 30 e 34.

1. Fare un segno sulla parte esterna di una delle ruote.
2. Mettere il Polaris sott'acqua e togliere completamente l'aria dal dispositivo di pulizia. Collegare il dispositivo di pulizia al tubo flessibile mantenendolo completamente sott'acqua.
3. Tenendo sempre il dispositivo di pulizia sott'acqua, accendere la pompa e contare il numero di giri delle ruote per un minuto.
4. La velocità ottimale è tra 30 e 34 RPM.



Se il conteggio risulta **inferiore a 30 RPM**:

- Controllare che tutte le linee di aspirazione siano chiuse all'infuori di quella utilizzata per il Polaris.
- Controllare che il filtro della piscina e il cestello della pompa siano puliti.
- Controllare l'accoppiamento delle sezioni di tubo per garantire che non ci siano perdite che possono ridurre il flusso.
- Nelle installazioni a linea di aspirazione dedicata, regolare la valvola nell'area dell'apparecchiatura fino a ottenere l'RPM corretto. Marcare la valvola per riferimento.
- Nelle installazioni a skimmer, girare la manopola del regolatore di flusso in senso orario fino a ottenere l'RPM corretto.

Se il conteggio risulta **superiore a 34 RPM**:

- Nelle installazioni a linea di aspirazione dedicata, regolare la valvola nell'area dell'apparecchiatura finché non si raggiunga l'RPM corretto.
- Nelle installazioni a skimmer, girare la manopola del regolatore di flusso in senso antiorario fino a ottenere l'RPM corretto. Se la manopola è girata al massimo e l'RPM continua a superare il valore di 34, aprire lo scarico principale (o un secondo skimmer) sino a ottenere l'RPM corretto.

Funzionamento e manutenzione ordinaria

Il Polaris ATV aspira, e pulisce a caso, l'intera superficie della piscina attivandosi e disattivandosi in corrispondenza all'accensione e allo spegnimento della pompa di filtrazione della piscina. La capacità del Polaris di salire lungo le pareti dipende da com'è sagomata la piscina e dal flusso d'acqua disponibile. Il dispositivo si arrampicherà meglio nelle piscine che non hanno angolature o curvature strette nel passare dal fondo alle pareti della piscina.

Il ciclo di pulizia del Polaris dura circa quattro minuti e mezzo. In un ciclo, il Polaris si sposta avanti e indietro e si gira a destra e a sinistra. La porta di deviazione libera il dispositivo di pulizia dagli ostacoli e la ventola crea una pressione verso il basso che ne aumenta la stabilità.

Piastra di fondo

La piastra di fondo aiuta il Polaris a spostarsi in angoli stretti e al di sopra di punti rialzati. Controllare di tanto in tanto la piastra del fondo per accertarsi che non si sia consumata e, se necessario, sostituirla.

Elica

Tenere l'elica pulita dai detriti. Per accedere allo scomparto dell'elica, smontare la parte superiore dell'involucro.

Regolatore del flusso

Controllare di tanto in tanto la presa del regolatore e togliere lo sporco.

Svuotamento del cestello della pompa

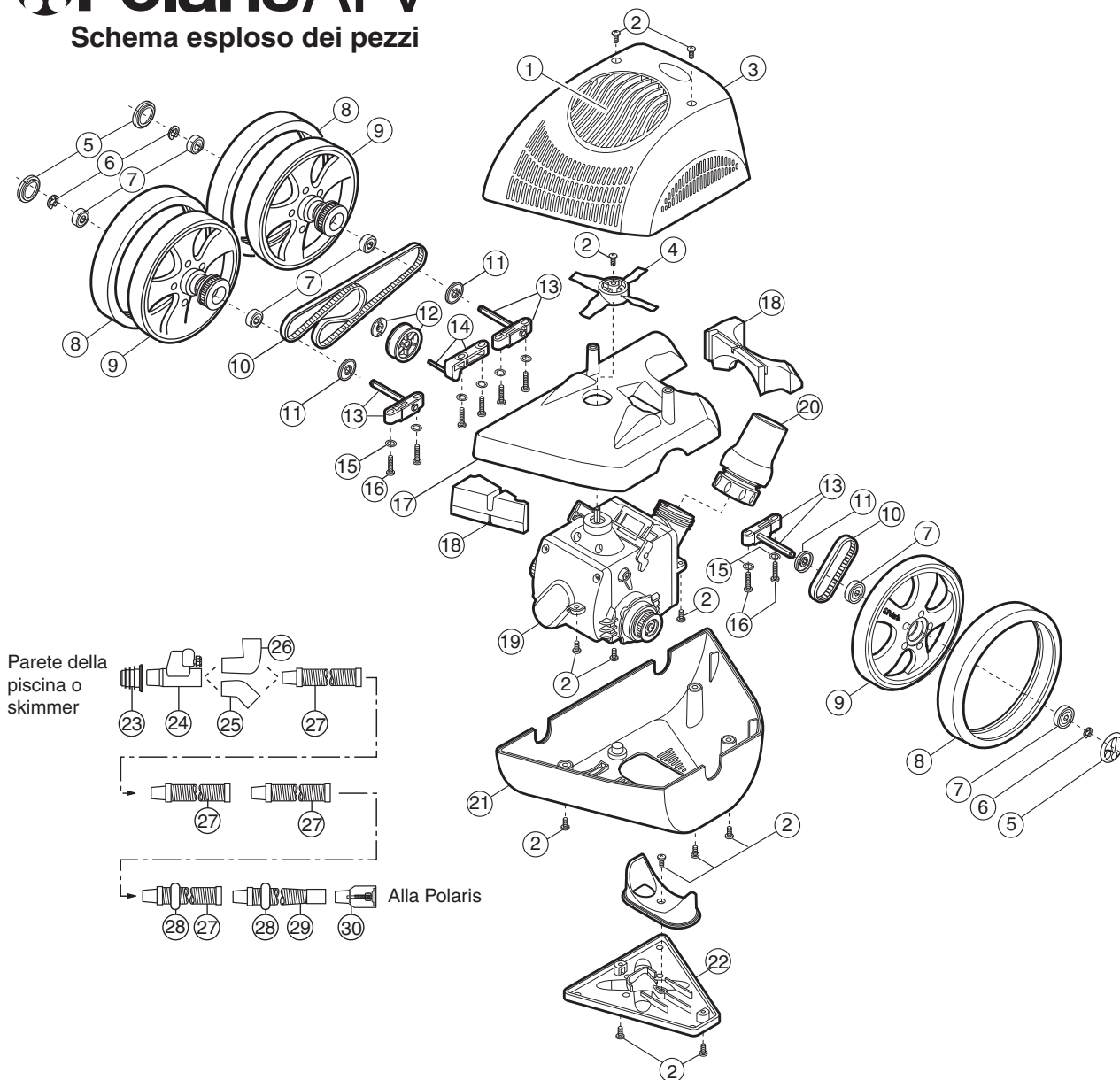
Affinché il Polaris funzioni sempre in modo ottimale, è necessario svuotare regolarmente il cestello della pompa. Il cestello della pompa deve essere pulito con una frequenza che dipende dalla quantità di detriti che vengono tolti dalla piscina.

Lavaggio del filtro della piscina

Scollegare sempre il Polaris dalla parete della piscina prima di pulire o lavare il suo filtro. Dopo avere pulito o lavato il filtro, lasciare che l'impianto di filtrazione funzioni per almeno cinque minuti prima di ricollegare il Polaris, in modo da lavare a fondo le linee di aspirazione.

Conservazione e preparazione per l'inverno

Non conservare mai il Polaris alla luce diretta del sole. Quando lo si ripone per l'inverno, scolare completamente l'acqua (i danni dovuti al ghiaccio non sono coperti dalla garanzia). Togliere tutti i connettori e adattatori dalla linea di aspirazione dedicata o dallo skimmer.



N.	Pezzo n.	Descrizione	Quantità	N.	Pezzo n.	Descrizione	Quantità
1	5-2025	Griglia dell'elica ATV	1	18	5-2010	Galleggianti, superiore, frontale e posteriore	1
2	9-100-5117	Vite, 8-32 x 3/8 di pollice	12	19	5-5000	Gruppo modulo alimentazione	1
3	5-2020	Gruppo superiore dell'involucro - ATV	1	20	5-5060	Gruppo dispositivo di rotazione	1
4	5-6000	Elica	1	21	5-2050	Parte inferiore dell'involucro	1
5	5-4030	Coprimozzo ATV	3	22	5-3000	Piastra di fondo*	1
6	9-100-5107	Fermaglio a E in acciaio inossidabile	7	23	5-7100	Adattatore universale	1
7	9-100-1108	Cuscinetto a sfere*	6	24	5-7000	Regolatore di flusso	1
8	5-4025	Pneumatico, MaxTrax®, ATV*	3	25	5-7250	Gomito a 45 gradi	1
9	5-4020	Gruppo ruota ATV	3	26	5-7200	Gomito a 90 gradi	1
10	5-5200	Kit cinghie, piccola e grande*	1	27	5-5570	Sezione tubo standard	12
11	9-100-7011	Protezione del cuscinetto*	3	28	5-7300	Pesi del tubo	2
12	5-1020	Fermaglio puleggia/staffa	1	29	5-5580	Tubo guida	1
13	5-4500	Gruppo blocco assale	3	30	5-7050	Indicatore di flusso	1
14	5-1010	Blocco tensione cinghie	1				
15	9-100-5130	Rondella di sicurezza, blocco assale	8				
16	9-100-5115	Vite, 8-32 x 3/4 di pollice	8				
17	5-1000	Telaio	1				

* Gli articoli di consumo sono esclusi dalla garanzia.

Individuazione e soluzione dei problemi

Se il dispositivo di pulizia Polaris presenta i sintomi seguenti, può rendersi necessario eseguire delle regolazioni per ripristinare le prestazioni. Per riferimento, vedere lo schema esplosivo dei pezzi.

Azione: il Polaris si blocca per più di 5 minuti in corrispondenza dei gradini o altri ostacoli.

- Soluzione:
1. Controllare l'RPM.
 2. Controllare che il dispositivo di pulizia si accenda e spenga ciclicamente. Le ruote devono girare all'indietro circa ogni minuto e mezzo.
 3. Togliere dalla piscina tutti gli oggetti estranei o installare un kit di protezione scaletta (ordinare la parte n. G21 presso il rivenditore Polaris).

Azione: il Polaris è lento e si muove con meno potenza del solito.

- Soluzione:
1. Controllare l'RPM.
 2. Pulire il filtro della piscina e il cestello della pompa.
 3. Togliere la parte superiore dell'involucro e accertarsi che l'elica non sia impedita da detriti.
 4. Togliere la piastra del fondo e verificare che la turbina non sia impedita da detriti.

Azione: il Polaris si blocca ripetutamente al livello dell'acqua.

- Soluzione:
1. Controllare l'RPM.
 2. Controllare che il regolatore del flusso sia libero da detriti.
 3. Posizionare diversamente i pesi del tubo flessibile in modo che siano a una distanza di 1,8 e 3,7 m dal dispositivo di pulizia.

Azione: il Polaris "si impenna" o sbanda fortemente su di un lato.

- Soluzione:
1. Controllare l'RPM.
 2. Accertarsi che il dispositivo di rotazione si muova liberamente.
 3. Togliere la parte superiore dell'involucro e accertarsi che l'elica non sia impedita da detriti.
 4. Controllare i pesi e verificare che siano posizionati in modo corretto.

Azione: il tubo flessibile s'ingarbuglia.

- Soluzione:
1. Controllare l'RPM.
 2. Verificare che la lunghezza del tubo flessibile sia giusta e che i pesi siano in posizione corretta.
 3. Controllare che il dispositivo di pulizia si accenda e spenga ciclicamente. Le ruote devono girare all'indietro circa ogni minuto e mezzo.
 4. Se si tratta di installazione con linea di aspirazione, installare un gomito a 45 gradi angolato verso l'alto e collegarsi il tubo flessibile.

Azione: durante il funzionamento escono delle bolle d'aria dalla linea di ritorno.

- Soluzione:
1. Controllare l'RPM.
 2. Verificare che le connessioni del tubo flessibile siano sicure.
 3. Verificare che tutte le connessioni e gli adattatori dello skimmer siano sicuri.

Azione: il Polaris non si muove.

- Soluzione:
1. Togliere la piastra del fondo e verificare che la turbina non sia impedita da detriti.
 2. Togliere la parte superiore dell'involucro e accertarsi che l'elica non sia impedita da detriti.
 3. Controllare che il flusso dell'acqua sia giusto. Se è insufficiente:
 - a. Pulire il filtro della piscina e il cestello della pompa.
 - b. Verificare che lo skimmer o la linea di aspirazione dedicate siano collegati in modo sicuro.
 - c. Regolare il regolatore di flusso o la valvola della linea di aspirazione situata nell'area dell'apparecchiatura. Controllare nuovamente l'RPM dopo che si è ottenuto il flusso giusto.
 4. Togliere la parte inferiore dell'involucro per garantire che se cinghie sono montate correttamente e sono alla tensione giusta.

Informações importantes

- Antes de instalar o Polaris, assegure-se de que o filtro da piscina está limpo.
- Purgue a tubulação nova antes de instalar o Polaris.
- Não use o Polaris para retirar pó de gesso ou massa fina de piscinas novas.
- Excepto ao medir a rotação (rpm) da roda, não toque no Polaris enquanto este estiver a funcionar.
- Nunca levante o Polaris pela mangueira.
- Sempre que algum banhista utilizar a piscina, retire o Polaris.
- Sempre que limpar ou fizer a contra lavagem do filtro da piscina desligue o Polaris da parede da piscina.
- Depois de limpar ou fazer a contra lavagem, permita que o sistema de filtração funcione durante, pelo menos, 5 minutos antes de conectar novamente o Polaris.
- Retire sempre o Polaris da piscina antes de qualquer tratamento químico intensivo (choque).

Para contactar o serviço técnico ou a assistência ao cliente:

- Envie o cartão da garantia imediatamente.
- Assistência on-line: www.polarispool.com
- Para entrar em contacto com a Polaris: **US and Canada**
Customer Service
2620 Commerce Way
Vista, CA 92081-8438
1-800-822-7933

Polaris ATV Garantia

Agradecemos a sua escolha e confiança depositada na marca Polaris ATV. Este produto foi concebido, fabricado e verificado usando do maior cuidado para assegurar completa satisfação.

A garantia é válida por 2 anos a partir da data de facturação ao primeiro utilizador.

ATENÇÃO: UTILIZAÇÃO DO POLARIS ATV EM PISCINAS DE VINIL

Alguns padrões de revestimento de vinil são particularmente susceptíveis a um desgaste rápido da superfície ou ao desaparecimento do padrão causado por objectos que entram em contacto com a superfície de vinil, incluindo escovas de piscina, brinquedos, bóias, fontes, distribuidores flutuantes de cloro e aspiradores automáticos de piscinas. Alguns padrões de revestimento de vinil podem ficar bastante arranhados ou gastos devido à simples acção de escovar a superfície com uma escova de limpar piscinas. A tinta do acabamento do padrão também pode sair durante o processo de instalação ou quando entra em contacto com objectos na piscina. A Zodiac não assume responsabilidade nem a Garantia Limitada cobre remoções do acabamento, abrasões ou marcas no revestimento de vinil.

Introdução

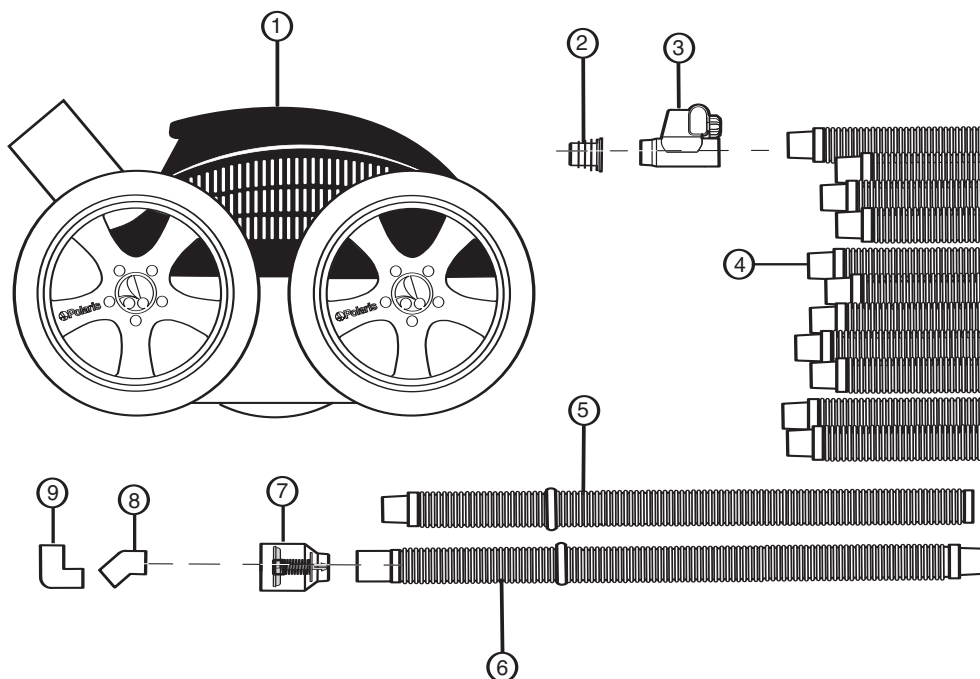
Parabéns pela aquisição do seu novo aspirador automático de piscina. Agradecemos a sua escolha do Polaris. O Polaris ATV foi concebido para funcionar de modo eficiente e seguro durante muitos anos.

Como a maioria dos aparelhos mecânicos, o Polaris necessita de ajustes periódicos, manutenção de rotina e substituição de certas peças muito usadas. O Polaris deve ocasionalmente passar por uma revisão no distribuidor local da Polaris ou numa oficina autorizada.

Insista sempre na aplicação de peças originais Polaris. As peças não-originais da Polaris não são fabricadas de acordo com nossas especificações. Tais peças podem prejudicar o funcionamento do Polaris ou até mesmo danificá-lo.

Aspirador completo Polaris ATV

1. Corpo do aspirador
2. Adaptador universal
3. Regulador de fluxo
4. Secções da mangueira padrão (11)
5. Mangueira padrão com peso de mangueira
6. Mangueira-guia com peso de mangueira
7. Indicador de fluxo
8. Cotovelo de 45°
9. Cotovelo de 90°



Instruções para instalação rápida

1 Identifique o tipo de conexão da piscina e conecte a mangueira

O Polaris ATV vem equipado para conectar-se a uma conduta de aspiração exclusiva ou a um skimmer.

A conduta de aspiração exclusiva consiste num cano de 3,8 cm (1,5 pol.) a 5 cm (2 pol.), geralmente localizado cerca de 15 cm a 30 cm abaixo da superfície da água, no meio da parede mais comprida da piscina.

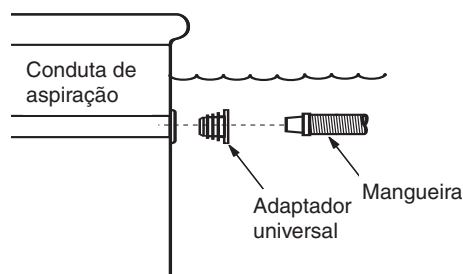
Existem diversos tipos de skimmers disponíveis, dependendo do plano da piscina. Alguns dos tipos de skimmers mais comuns encontram-se descritos aqui. Para obter mais informações, entre em contacto com a Assistência ao Cliente.

Antes da instalação:

1. Certifique-se de que o filtro da piscina e o cesto da bomba estão limpos.
 - ➔ Anote a pressão do filtro da piscina (libras por polegada quadrada ou psi) quando o filtro estiver limpo. Sempre que a pressão do filtro se apresentar 5 a 10 psi acima da pressão normal anotada, limpe o filtro.
2. Veja se existe uma conduta de aspiração exclusiva disponível para a instalação.
3. Se não houver uma conduta de aspiração exclusiva, será usada a instalação do skimmer.
 - Identifique a localização de todas os skimmers.
 - Use o skimmer que se encontra mais próximo do meio da parede mais comprida para conectar o Polaris. Se existirem dois, use o que estiver mais próximo do equipamento da piscina.
 - Bloqueie o fluxo que vai ao dreno principal e todos os skimmers que não irão ser usados pelo Polaris. Se a piscina não tiver uma válvula para regular o fluxo que vai a cada skimmer, bloqueie o fluxo na conduta de aspiração.
 - Retire a tampa do skimmer, o cesto e todas as outras válvulas, bóias ou tampas.
 - Se o skimmer tiver uma válvula de desvio para controlar o fluxo de água entre o skimmer e o dreno principal, ajuste a válvula para uma acção total de skimmer.
 - Se o skimmer tiver duas aberturas (conduta de aspiração e dreno principal), a conduta de aspiração geralmente é aquela que se encontra mais afastada da borda da piscina. Confirme verificando o fluxo.
4. Desligue a bomba da piscina.

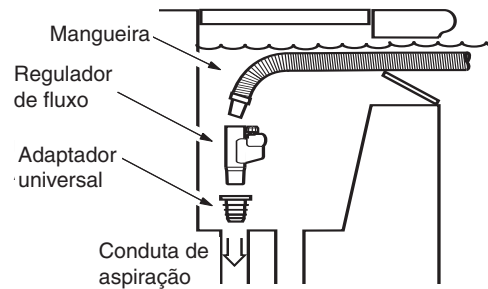
Como conectar a conduta de aspiração exclusiva

1. Se a conduta de aspiração não tiver um acessório de segurança de vácuo, instale o adaptador universal. Caso exista um acessório de segurança, não é necessário instalar o adaptador universal.
2. Conecte qualquer secção de mangueira sem pesos na conduta de aspiração exclusiva.
3. Passe para a etapa Conexão da Mangueira.

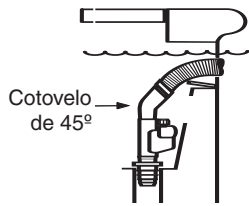


Conexão do skimmer

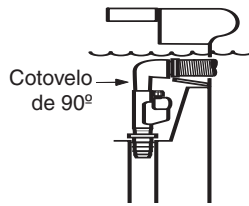
1. Empurre o adaptador universal para dentro da conduta de aspiração no fundo do skimmer.
2. Insira o regulador de fluxo no adaptador universal.
3. Passe qualquer secção de mangueira sem pesos através da abertura do skimmer e conecte-a ao regulador de fluxo.



Skimmer profundo



Skimmer de pouca profundidade



Em alguns skimmers pode ser necessário instalar um conector em cotovelo para evitar que a mangueira se dobre. Para skimmers profundos, instale um cotovelo de 45 graus entre o regulador de fluxo e a mangueira. Para skimmers de pouca profundidade, use um cotovelo de 90 graus.

Como conectar a mangueira

1. Coloque de lado a mangueira-guia com peso e a mangueira padrão com peso.
2. Conecte as outras secções de mangueira juntando os terminais firmemente.
3. Prenda a mangueira padrão com peso na extremidade da mangueira.
4. Prenda a mangueira-guia na mesma extremidade. A mangueira-guia conecta-se ao Polaris.
5. Conecte a mangueira montada na secção de mangueira presa na parede da piscina.

2

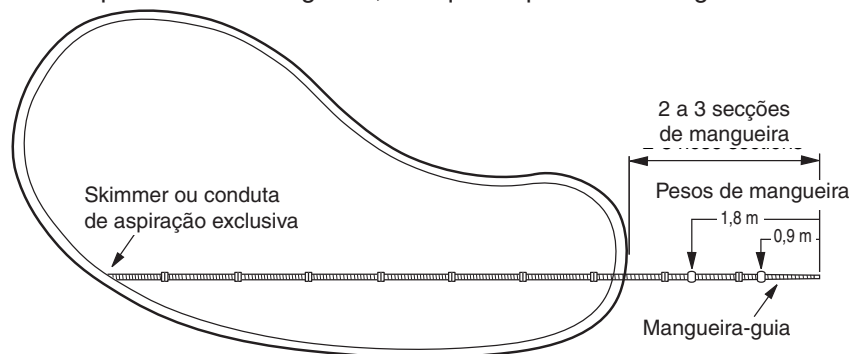
Ajuste a mangueira de aspiração de acordo com o comprimento da piscina

Com a mangueira conectada na parede da piscina, estique a mangueira até ao ponto mais distante da piscina. A extremidade da mangueira deverá estender-se entre duas e três secções de mangueira para além do ponto mais afastado.

Mangueira comprida demais ? Retire as secções de mangueira em excesso do meio da mangueira.

Mangueira curta demais? Compre mais secções de mangueira padrão.

Após ajustar o comprimento da mangueira, coloque os pesos da mangueira como ilustrado.



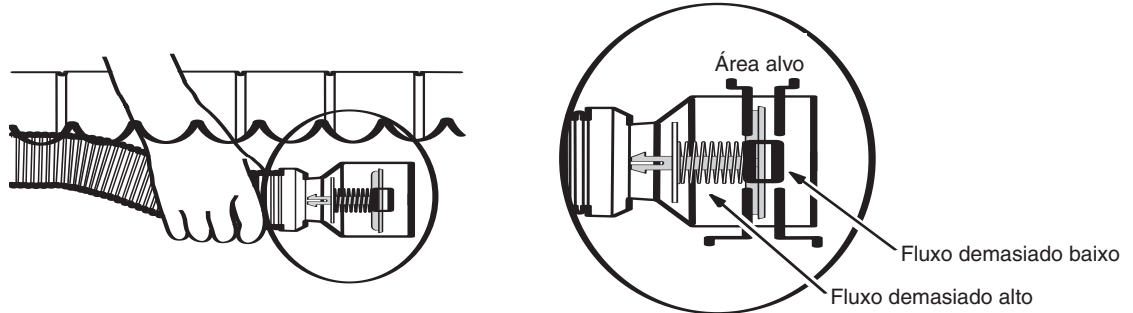
Observação: Para piscinas com menos de 1,5 m, retire o peso da mangueira-guia e coloque-o na mangueira padrão a uma distância de 1,2 m do Polaris.

3

Verifique e ajuste o fluxo de água

Para um funcionamento correcto, o Polaris ATV deverá receber um fluxo apropriado de água. Examine o fluxo de água disponível da piscina usando o indicador de fluxo.

1. Desconecte a mangueira e o regulador de fluxo, se usado. Encha completamente a mangueira com água. Volte a conectar o regulador de fluxo à mangueira-guia.
2. Conecte o indicador de fluxo à mangueira-guia.
3. Mantendo o indicador de fluxo submerso na água, ligue a bomba.
4. A área alvo do indicador de fluxo representa o intervalo de fluxo de água correcto.



Se o fluxo for **demasiado baixo**:

- Verifique se o filtro da piscina e o cesto da bomba estão limpos.
- Verifique se todas as condutas de aspiração estão fechadas, exceptuando a conduta utilizada pelo indicador de fluxo.
- Examine os terminais e as conexões das mangueiras para detectar a possível existência de fugas causadoras da perda de fluxo.
- Em instalações com conduta de aspiração exclusiva ajuste a válvula na área do equipamento que controla o fluxo de água para a conduta de aspiração, até que o indicador se encontre dentro da área alvo. Marque as válvulas para referência futura.
- Em instalações com skimmers rode o botão do regulador de fluxo no sentido dos ponteiros dum relógio até que o indicador se encontre dentro da área alvo.

Se o fluxo for **demasiado alto**:

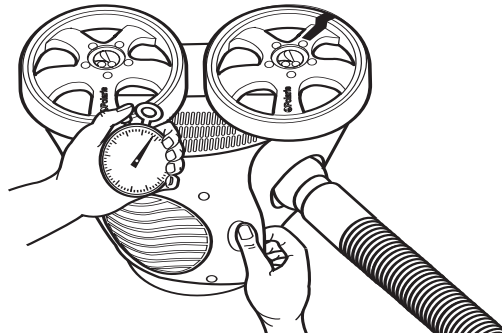
- Em instalações de conduta de aspiração exclusiva ajuste a válvula na área do equipamento que controla o fluxo de água para a conduta de aspiração, até que o indicador se encontre dentro da área alvo.
 - Em instalações com skimmers rode o botão do regulador de fluxo em sentido inverso ao dos ponteiros dum relógio até que o indicador se encontre dentro da área alvo. Se rodar completamente o botão, abra o dreno principal (ou um segundo skimmer) até que o indicador se encontre dentro da área alvo.
5. Desligue a bomba. Mantenha a mangueira submersa na água e retire o indicador de fluxo.

4

Verifique se as rotações da roda (rpm) estão correctas

Antes de usar o Polaris, verifique se o ajuste de rotações por minuto (rpm) da roda está correcto. Para uma eficiência máxima, a rotações deverão ser de 30 e 34 rpm.

1. Marque a borda externa de um pneu.
2. Submerja o Polaris e remova todo o ar do aspirador. Mantendo-o submerso, conecte o aspirador à mangueira.
3. Continuando a manter o aspirador submerso na água, ligue a bomba e conte as rotações da roda durante um minuto.
4. A velocidade ideal deverá ser entre 30 e 34 rpm.



Se a contagem for **inferior a 30 rpm**:

- Verifique se todas as condutas de aspiração estão fechadas, exceptuando a conduta utilizada pelo Polaris.
- Verifique se o filtro da piscina e o cesto da bomba estão limpos.
- Examine os terminais e as conexões da mangueira para detectar as possíveis existências de fugas causadoras da perda de fluxo.
- Em instalações com conduta de aspiração exclusiva ajuste a válvula na área do equipamento até que se alcance a rotação correcta da roda. Marque os ajustes das válvulas para referência futura.
- Em instalações com skimmers rode o botão do regulador de fluxo no sentido dos ponteiros dum relógio até alcançar a rotação correcta da roda.

Se a contagem for **superior a 34 rpm**:

- Em instalações com conduta de aspiração exclusiva, ajuste a válvula na área do equipamento até que se alcance a rotação correcta da roda.
- Em instalações com skimmers rode o botão do regulador de fluxo em sentido inverso ao dos ponteiros dum relógio até alcançar a rotação correcta da roda. Se rodar completamente o botão e a rotação continuar acima de 34, abra o dreno principal (ou um segundo skimmer) até alcançar a rotação correcta da roda.

Funcionamento e manutenção de rotina

O Polaris ATV entra e sai de ciclo com a bomba do filtro da piscina aspirando e limpando todas as superfícies aleatoriamente por toda a piscina. A capacidade ascensional do Polaris depende da forma da piscina e do fluxo de água disponível. A sua capacidade ascensional oferece um melhor desempenho em piscinas sem ângulos acentuados ou curvas na transição entre o fundo da piscina e a parede da piscina.

Aproximadamente cada 4,5 minutos o Polaris ATV completa um ciclo de limpeza. Durante um ciclo, o Polaris move-se para a frente e para trás, e roda para a direita e para a esquerda. A porta de desvio protege o aspirador contra obstáculos e o ventilador exerce força para baixo para aumentar a estabilidade do aspirador.

Placa inferior

A placa inferior ajuda o Polaris a ultrapassar ângulos acentuados ou saliências. Inspeccione periodicamente a placa inferior para detectar o nível de desgaste, substituindo-a quando necessário.

Hélice

Mantenha a hélice livre de detritos. Para ter acesso à área da hélice, retire a unidade da carcaça superior.

Regulador de fluxo

Inspeccione periodicamente a entrada do regulador de fluxo e retire os detritos acumulados.

Como esvaziar o cesto da bomba

Para que o Polaris funcione com a máxima eficiência, esvazie o cesto da bomba com regularidade. Quanto mais detritos na piscina, maior a frequência com que o cesto da bomba deve ser esvaziado.

Contra lavagem do filtro da piscina

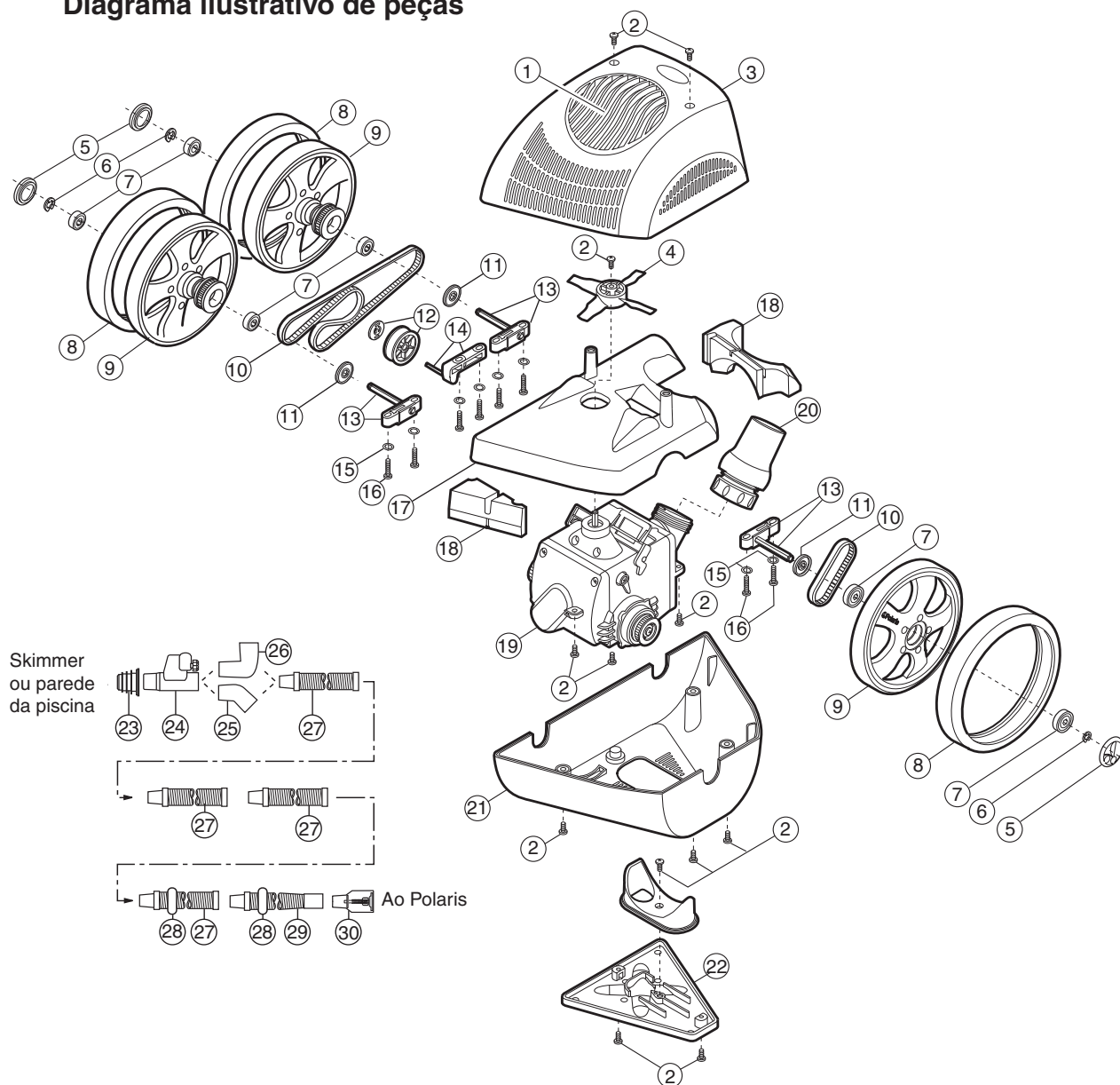
Quando limpar ou proceder à contra lavagem do filtro da piscina desconecte sempre o Polaris da parede da piscina. Depois da limpeza ou da contra lavagem, aguarde que o sistema de filtro funcione durante pelo menos 5 minutos, a fim de purgar as condutas de aspiração, antes de reconectar o Polaris.

Armazenagem e preparação para o Inverno

Nunca armazene o Polaris sob luz solar directa. Quando armazenar durante a estação do Inverno, escorra toda a água (os danos causados por congelamento não são cobertos pela garantia). Retire todas as conexões e adaptadores do skimmer ou da conduta de aspiração exclusiva.

PolarisATV

Diagrama ilustrativo de peças



Nº	Peça #	Descrição	Quant.	Nº	Peça #	Descrição	Quant.
1	5-2025	Grade da hélice ATV	1	16	9-100-5115	Parafuso de cabeça chata, 8-32 x 3/4 pol.	8
2	9-100-5117	Parafuso de cabeça chata, 8-32 x 3/8 pol.	12	17	5-1000	Estrutura	1
3	5-2020	Conjunto da carcaça superior- ATV	1	18	5-2010	Bóia, superior, frente e traseira	1
4	5-6000	Hélice	1	19	5-5000	Módulo de potência	1
5	5-4030	Tampa do cubo ATV	3	20	5-5060	Unidade da articulação	1
6	9-100-5107	Clipe em E de aço inoxidável	7	21	5-2050	Carcaça inferior	1
7	9-100-1108	Rolamento de esferas*	6	22	5-3000	Placa inferior*	1
8	5-4025	Pneu, MaxTrax®, ATV*	3	23	5-7100	Adaptador universal	1
9	5-4020	Unidade da roda ATV	3	24	5-7000	Regulador de fluxo	1
10	5-5200	Kit da correia, pequeno e grande*	1	25	5-7250	Cotovelo de 45°	1
11	9-100-7011	Protecção, mancal	3	26	5-7200	Cotovelo de 90°	1
12	5-1020	Polia/Clipe de retenção	1	27	5-5570	Mangueira padrão, única	12
13	5-4500	Unidade do bloco do eixo	3	28	5-7300	Peso da mangueira	2
14	5-1010	Bloco tensor da correia	1	29	5-5580	Mangueira-guia	1
15	9-100-5130	Anilha de pressão, bloco do eixo	8	30	5-7050	Indicador de fluxo	1

* Os elementos sujeitos a desgaste não estão cobertos pela garantia.

Identificação e solução de problemas

Se o aspirador Polaris apresentar uma das acções abaixo indicadas, pode ser necessário fazer alguns ajustes para restabelecer o seu funcionamento correcto. Consulte o diagrama de peças para obter as referências das peças.

Acção: O Polaris fica pendurado nos degraus ou em outros obstáculos por mais de 5 minutos.

- Solução:
1. Verifique a rotação (rpm) da roda.
 2. Verifique se o aspirador está em ciclo. As rodas devem girar para trás a cada 1,5 minutos aproximadamente.
 3. Retire todas as ferragens desnecessárias da piscina ou instale o Kit de Protecção de Escada (encomende a peça nº G21 junto a um revendedor Polaris).

Acção: O Polaris move-se lentamente, funcionando com menos força do que o normal.

- Solução:
1. Verifique a rotação (rpm) da roda.
 2. Limpe o filtro da piscina e o cesto da bomba.
 3. Retire a carcaça superior e certifique-se de que não existem detritos na hélice.
 4. Retire a placa inferior e certifique-se de não que existem detritos na turbina.

Acção: O Polaris encrava-se repetidamente na linha da água.

- Solução:
1. Verifique a rotação (rpm) da roda.
 2. Certifique-se de que não existem detritos no regulador de fluxo.
 3. Reposicione os pesos da mangueira a 1,8 m e a 3,6 m do aspirador.

Acção: O Polaris anda em roda ou vira-se bruscamente para um lado.

- Solução:
1. Verifique a rotação (rpm) da roda.
 2. Certifique-se de que a articulação roda livremente.
 3. Retire a carcaça superior e certifique-se de que não existem detritos na hélice.
 4. Verifique se os pesos da mangueira estão posicionados correctamente

Acção: A mangueira fica emaranhada.

- Solução:
1. Verifique a rotação (rpm) da roda.
 2. Verifique se a mangueira está adaptada ao comprimento adequado e se os pesos estão posicionados correctamente.
 3. Verifique se o aspirador está em ciclo. As rodas devem rodar para trás cada 1,5 minutos aproximadamente.
 4. Se estiver instalado numa conduta de aspiração exclusiva, conecte o cotovelo de 45 graus, vire-o para cima e prenda a mangueira.

Acção: Bolhas de ar saem da linha de retorno durante o funcionamento.

- Solução:
1. Verifique a rotação (rpm) da roda.
 2. Verifique se as conexões da mangueira estão firmes.
 3. Verifique se todas as conexões do skimmer e adaptadores estão firmes.

Acção: O Polaris não se movimentam

- Solução:
1. Retire a placa inferior e certifique-se de que não existem detritos na turbina.
 2. Retire a carcaça superior e certifique-se de que não existem detritos na hélice.
 3. Verifique se o fluxo de água está adequado. Se estiver baixo:
 - a. Limpe o filtro da piscina e o cesto da bomba.
 - b. Verifique se a conexão da conduta de aspiração exclusiva ou do skimmer está firme.
 - c. Ajuste o regulador de fluxo ou a válvula da conduta de aspiração na área do equipamento. Examine novamente as rotações da roda após obter o fluxo correcto.
 4. Retire a carcaça inferior para se assegurar que as correias estão bem instaladas e com a tensão adequada.



EC DECLARATION OF CONFORMITY

Manufacturer The Products are manufactured and marked with **CE** by:

Zodiac Pool Care, Inc. ("Zodiac")
2620 Commerce Way
Vista, CA 92081-8438 USA
Telephone: 760-599-9600
Facsimile: 760-597-1239
E-mail: polaris@zpc.zodiac.com

Products The Products Declared herein are:
Polaris ATV

Directives The Products are in conformity with the following Directives:
Machinery Safety Directive 98/37/EC

Specifications The Products also comply with the following international and harmonized
domestic standards:
None. There are no known standards for swimming pool cleaning equipment.

Declaration

I hereby declare that the equipment named above has been designed to comply with the relevant sections of the above referenced specifications. The unit complies with all essential requirements of the directives. I declare under sole responsibility that the foregoing information is true and correct.

David Peterson

David Peterson, Vice President Engineering

12-Sep-02

Date



Your pool. Our reputation.

2620 Commerce Way, Vista, CA 92081-8438 • 760-599-9600 • 1-800-822-7933

www.polarispool.com